



**DELLNER
BUBENZER**

PNEUMATIC CLUTCHES AND BRAKES

- Type FK

2021.04



Contents

General Characteristics Element

Description

Element FK

Construction and Characteristics

FK Element components

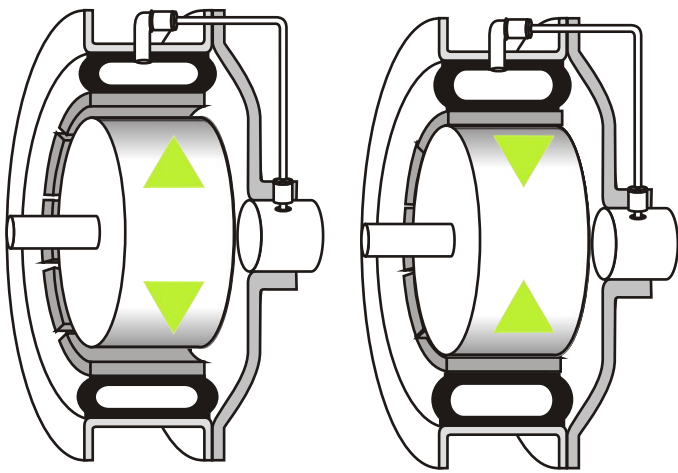
Technical and dimensional data

The FK Element is designed and constructed to provide a reliable service of a clutch or brake in a majority of industrial applications, even in the severest ones. The Element combines the advantages of a strong robust clutch with the characteristics of a flexible coupling, while not requiring lubrication or adjustment.

Type FK

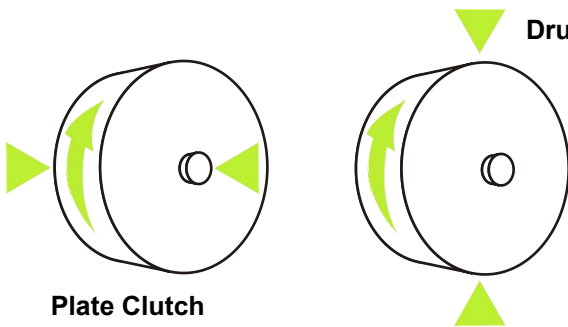
It is suited to applications which are high speed and have cyclical operations.

Drive principle



The FK Elements use a neoprene rubber air tube, reinforced by nylon cord materials which quickly expand inwards when pressurized. This action causes the friction shoes attached to the tube's inside diameter to engage around the surface of the cylindrical drum. The elements torque capacity is always dependent upon the air pressure being applied and the rotating speed of the application.

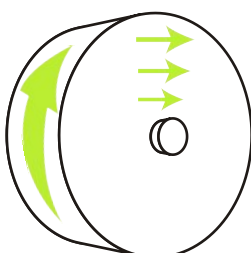
The force is applied at the maximum radius to the axis



The FK Elements concentrate all the frictional force on the outer diameter of the drum, allowing it obtain the maximum torque. The force is not only generated through the radius, but is also applied around the circumference of the drum.

Uniform contact speeds

Variable Plate Speed



The contact of the friction shoe occurs around the cylindrical surface of the drum where the contact speed is constant unlike plate types units, where the contact speed can vary across the face of the friction plate.

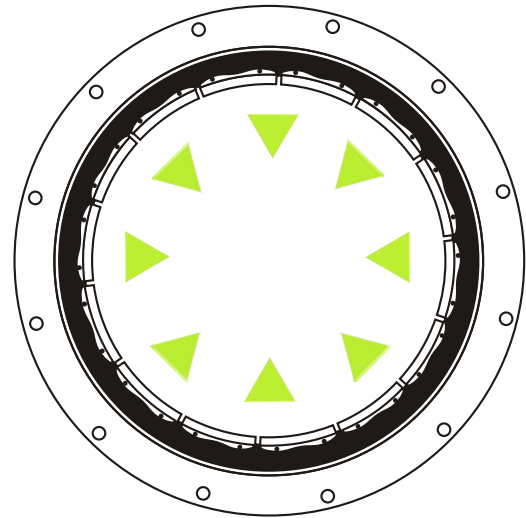
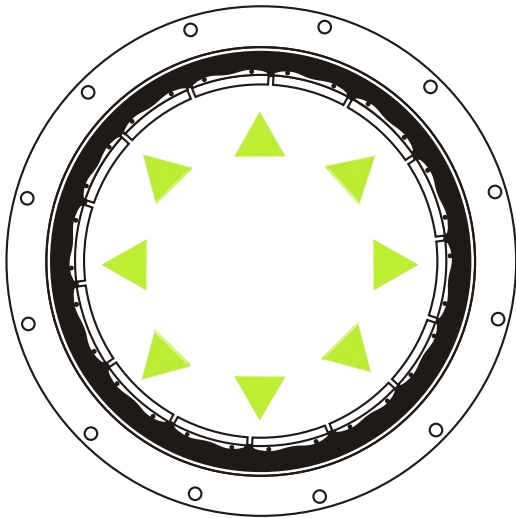
Constant Drum Speed

Self Adjustment

The Elements tube automatically compensate as the friction surface wears down, eliminating the necessity of adjustment, without reducing the elements ability to transmit torque.

No Lubrication

There are no crucial sliding components, which require lubrication.

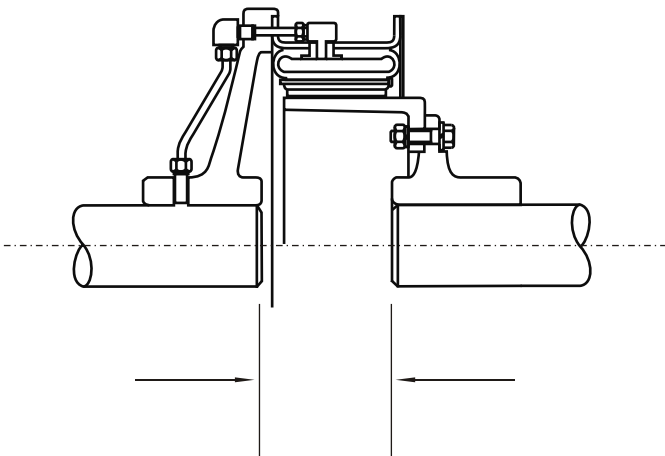
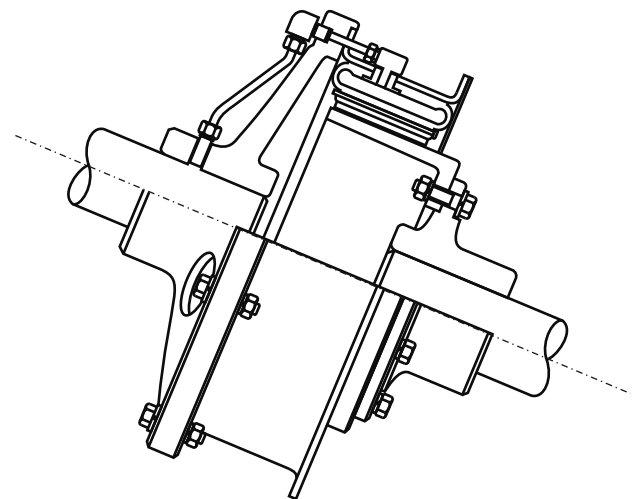


The centrifugal force aids in the clutch disengagement

When the pressure is released from the tube, the centrifugal force, acting on the friction shoes at the rotating element, retract the shoes away from the surface of the drum. This type of effect retracts the tube pressurizing source and the possibility for disengaged friction shoe drag is minimized.

Any Plane Operation

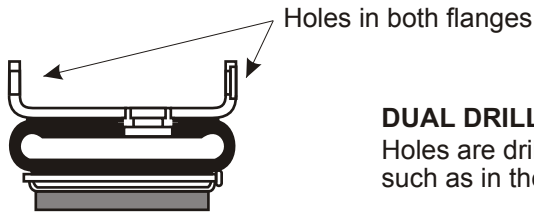
The construction design and characteristics, combined with the centrifugal force, allows the clutch operation in any plane.



Assembly

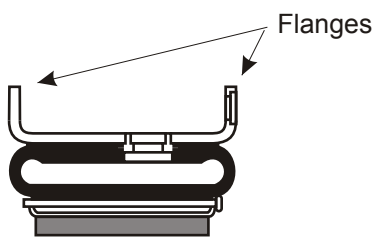
The clutches installed on disconnected shafts, as the figure indicates, allows the assembly and the disassembly of its parts with out the necessity of moving shafts, while also facilitating applicaiton alignment.

The Elements are identified by a number and type of different features and fittings used to make the connection from the tube valve or inlet to flange on the rim, and also by the type of friction material and other unique rim features. Most of the unique rim features only pertain to FK elements.



DUAL DRILLED (DD)

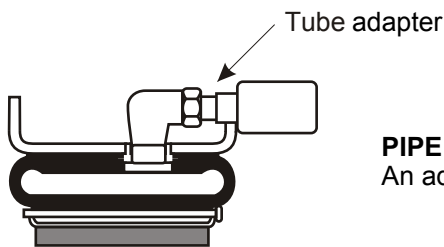
Holes are drilled in both flanges to be used for the air and mounting connections such as in the case of a dual Element.



DUAL FLANGE (DFL)

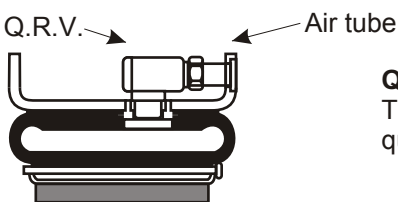
This is the description for rims with dual flange, standard for FK Elements versions: from 16FK500 to 40FK525.

This description is used to differentiate those of single flange design from those of double flange design.



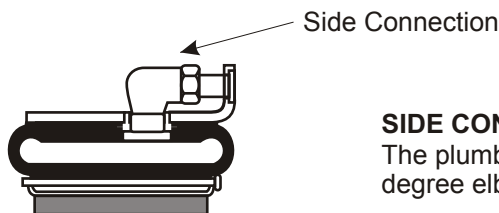
PIPE ADAPTER

An adapter that connects the standard tube fittings to the pipefittings.



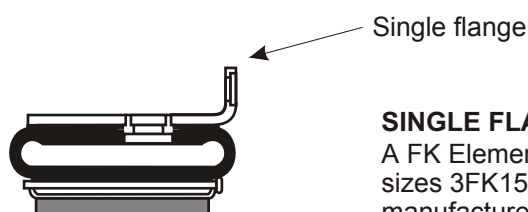
QUICK RELEASE VALVE (Q.R.V)

The plumbing that connects the flange of the rim to the air inlet (valve) utilizing a quick release valve and an air connection tube.



SIDE CONNECTION (SC)

The plumbing from the flange of the rim to the air inlet (valve) utilizing an e90 degree elbow and an air connection tube.



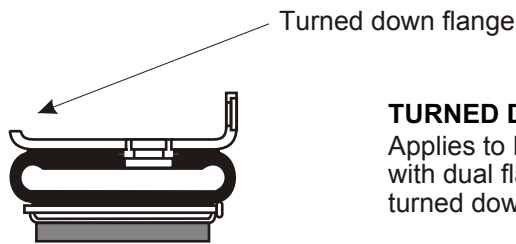
SINGLE FLANGE (SGL-FL)

A FK Element description for rim having only a single flange. Standard for sizes 3FK150 thru 14FK400. Size 12FK350 thru 14FK400 can be manufactured with single or dual flange.



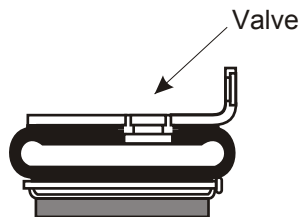
SLOTTED RIM

A "U" shaped cutout in the flange of the rim, providing access for piping directly to the air inlet (valve). Especially in small sizes.



TURNED DOWN FLANGE

Applies to FK elements only. Sizes from 16FK500 thru 45FK525 come standard with dual flange, this description is used when one of its flanges is reduced or turned down to provide clearance for adjacent components.



VALVE / INLET (VA or VAL or VL)

This part of the tube allows for a mechanical connection to inflate and deflate. The Elements of sizes from 3FK150 to 14FK400 are manufactured with one or two valves. The other sizes having options of one, two or four valves.

LINING (LNG or LN) FRICTION LINING

Elements can be furnished with linings that have different friction coefficients. When there is no mention made within the description, the element is outfitted with a standard non asbestos lining.

STANDARD LINING

This non-asbestos lining produces the torque as indicated in the catalog.

LOW COEFFICIENT (LO-CO) OR SLIP LINING

This non-asbestos lining has a lower friction coefficient than the standard. This LO-CO lining is recommended for continuous slip or tensioning applications.

HIGH COEFFICIENT (HI-CO) OR CORK LINING

This non-asbestos lining has a higher friction coefficient than standard. It is used in applications where the Element works in the engaged position for long periods of time.

Dellner's line of clutches and brakes offered for a variety of applications where high acceleration and deceleration are common within modern machines or equipment that are continuously functioning. They are available in a variety of models, sizes and assembly configurations; and are used throughout the world in almost every industry, such as: oilfield, steelworks, pulp and paper mills, marine, mining and the textile industry to name a few. Dellner manufactures and designs their products for there particular need to transmit power, in the most simple and suitable way possible.

General recommendations



Do not repair clutches or brakes while they are in operation or rotating.



Do not dismantle while the equipment pressurizing.



Heavy components must be handled with extreme caution. If they slide, they can cause serious physical harm.



Caution: the clutches and brakes generate high temperatures. Allow for a reasonable "cooling off" period of time before handling or repairing.



Do not exceed the Maximum air pressure recommendations for each size and type of unit.



Do not operate the clutch or brake elements without a guard. Rotating equipment naturally presents a potentially hazardous situation and should be guarded in accordance with requirements provided by OSHA, or local, state and federal laws.



Inner springs in some of the elements are under pressure; please follow the instructions of assembly and disassembly as per each model manual.

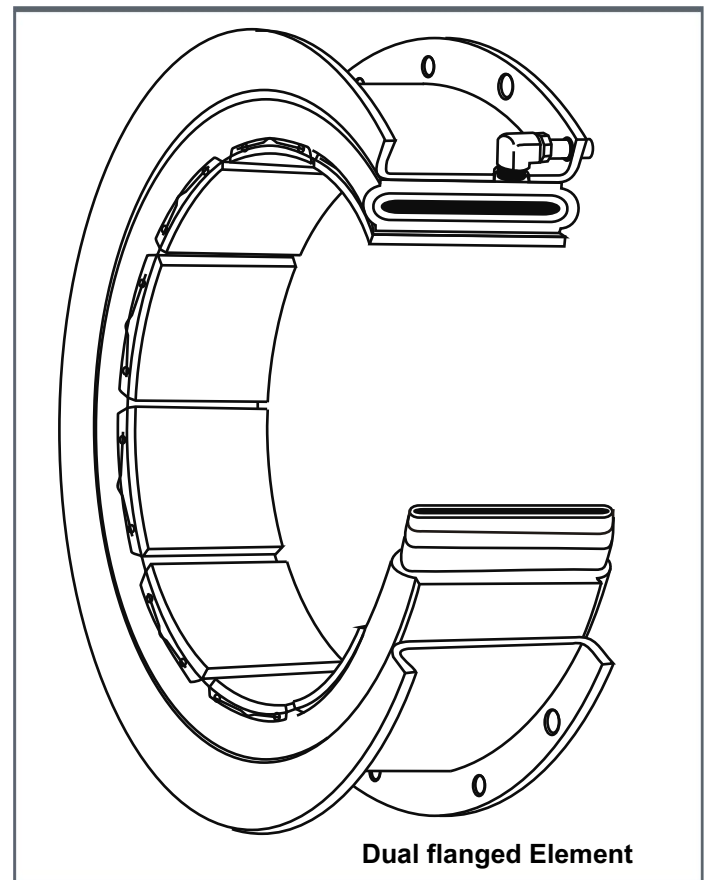
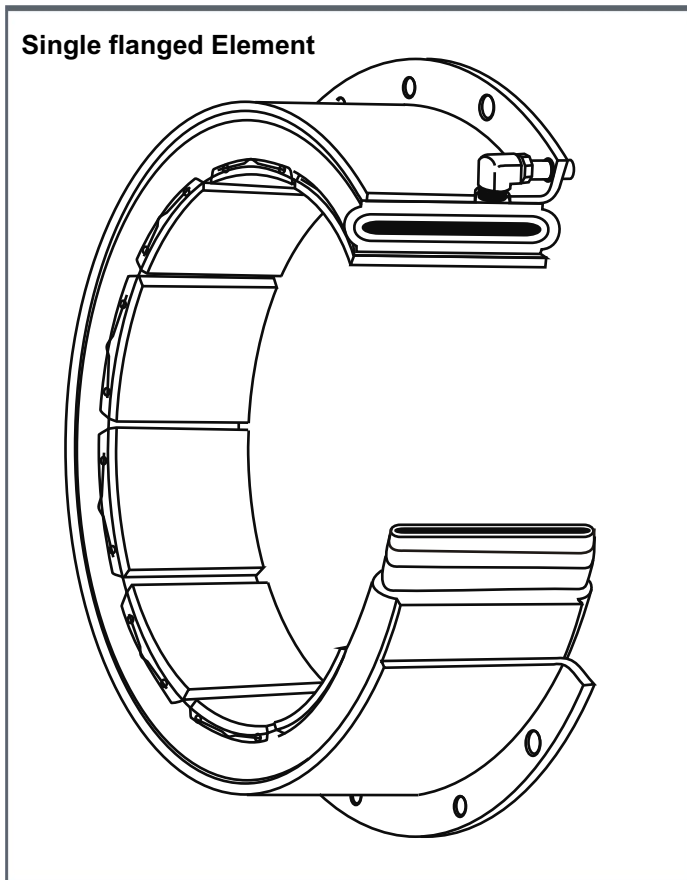


Switch off all power sources (electric, pneumatic, mechanical, etc.) before handling or repairing elements.



Consult Dellner to make the most suitable assembly and disassembly.

Dellner clutches and brakes are designed and manufactured to be used in conjunction with Dellner spare parts and components. The use of non-genuine Dellner replacement parts and components could result in substandard product performance, and may void your Dellner warranty.



The FK type Element is designed and manufactured to offer a reliable clutch or break service in the most demanding industrial applications. They are best suited to high velocity, cyclical operations in a variety of general power transmission applications.

The FK design and construction is operationally simple. A neoprene element in the shape of an air tube, which is reinforced with several ply of cords, is vulcanized to the inside of a steel rim. Inside, is a set of friction shoes that are attached to the tube using shoe pins and lock wire kit. When the tube is pressurized, the friction shoes are forced to engage around the drum.

The Element capacity to transmit torque is dependent upon the applied air pressure and rotating velocity. The values indicated in the catalog are given at a pressure of 75psi (5.2 bar) and zero R.P.M. The maximum recommended pressure is 110 psi (7.6 bar).

The FK Elements are available in 18 sizes, which are identified by the drums O.D. / outer diameter in inches, as well as the width in inches of the friction lining. For example, a 16FK500 is designed to constrict on a drum with 16" diameter and its friction lining width 5".

Elements from 3FK150 thru 10FK300 come standard with a single flange. Elements from 12FK350 thru 14FK400 are normally provided with a single flange, but can be outfitted with 2 flanges if required. The 16FK500 thru 40FK525 Elements come standard with 2 flanges.

Two Elements with dual flanges can be bolted together in order to form a Dual Element, which would have twice the torque capacity of a single element. The Dual Elements are provided in sizes from 12FK350 thru 40FK525.

Torque rating
1.220.000 lb.pulg
137.890 N.m.

A single moving component

The tube is the only moving component; there are no springs or sliding parts.



Split Elements

Size 6FK200 thru 40FK525 can be provided in this configuration. This type of element is used to facilitate the installation, maintenance, and disassembly in applications where there is a limited amount of axial space. Normally, the single flange Elements thru size 10FK300 are used as breaks, whereas the Dual flange Elements can be used both as a clutch or a break.

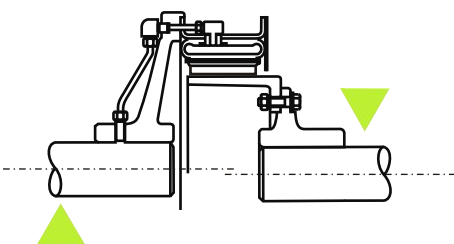
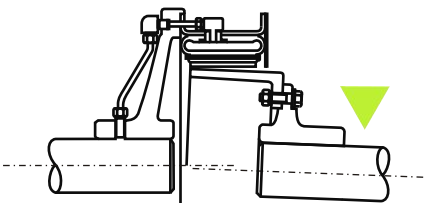


Shock-absorbing effect

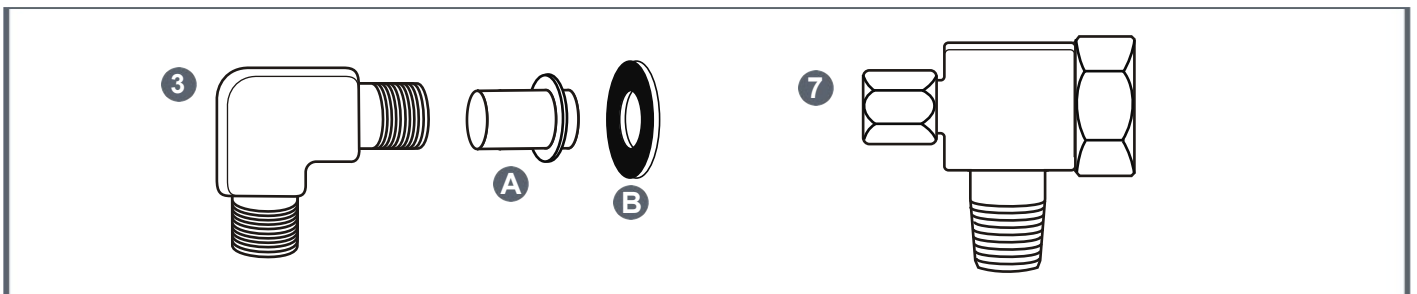
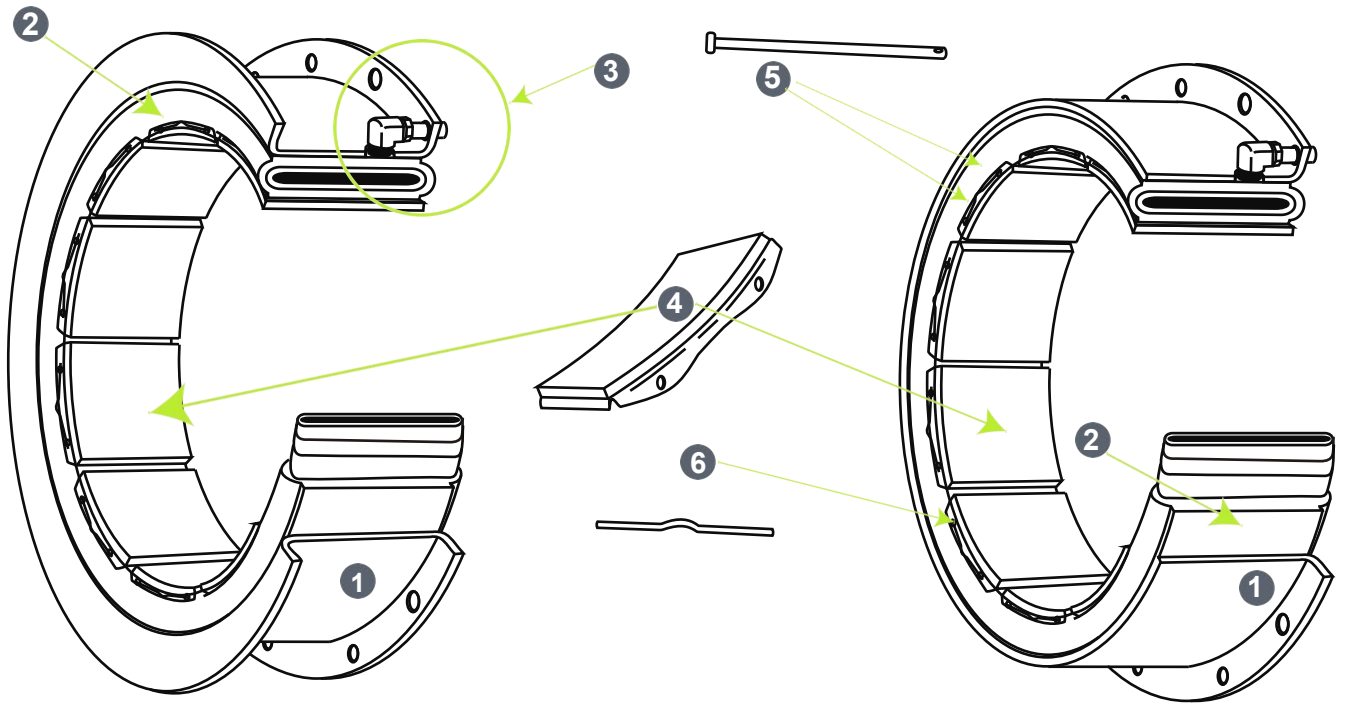
Due to the fact that the tube transmits torque through its sidewalls, it works like a shock absorber, absorbing the shock loads thereby protecting the drive components of the transmission. The construction of the rubber tube also reduces the effects of the torsional vibration.

Flexible Coupling

The flexibility of the tube allows for it to compensate minor misalignments and axial movements of the shaft.



SIZE	Nominal torque	
	lb.pulg @75psi	N.m@5.2 bar
3FK150	360	41
4FK200	1.00	113
5FK200	1.460	165
6FK200	2.040	231
8FK250	4.290	485
10FK300	8.150	921
12FK350	13.300	1500
14FK400	19.700	2230
16FK500	35.200	3980
18FK500	44.000	4970
20FK500	53.600	6060
22FK500	62.300	7040
24FK500	75.000	8480
26FK525	92.400	10400
28FK525	106.000	12000
30FK525	121.000	13700
32FK525	137.000	15500
36FK525	172.000	19400
40FK525	211.000	23800

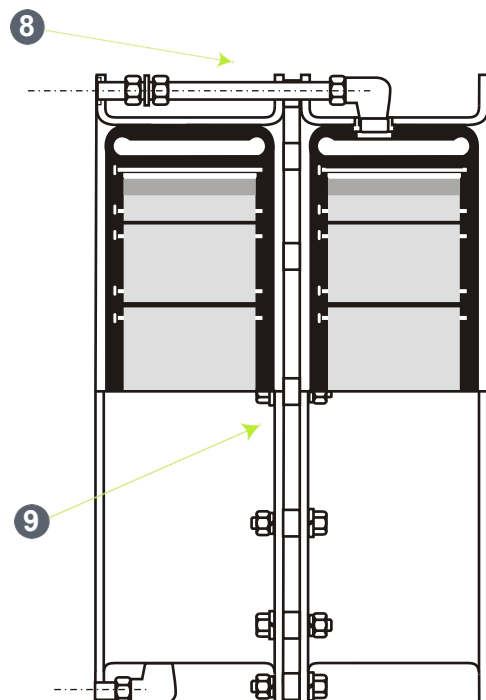


Type - FK

- 1 - Rim
- 2 - Tube
- 3 - Elbow
- A- Air Connection tube
- B- Gasket
- 4 - Friction Shoe 1
- 5 - Shoe Pin 1
- 6 - Lockwire 1
- 7 - Quick release valve 2
- 8 - Air tube for dual assembly
- 9 - Spacer for dual assembly

NOTES:

- 1- Unavailable item for size 3FK thru 5FK, due to the fact that friction material is vulcanized with the chamber and is not interchangeable.
- 2- Optional.

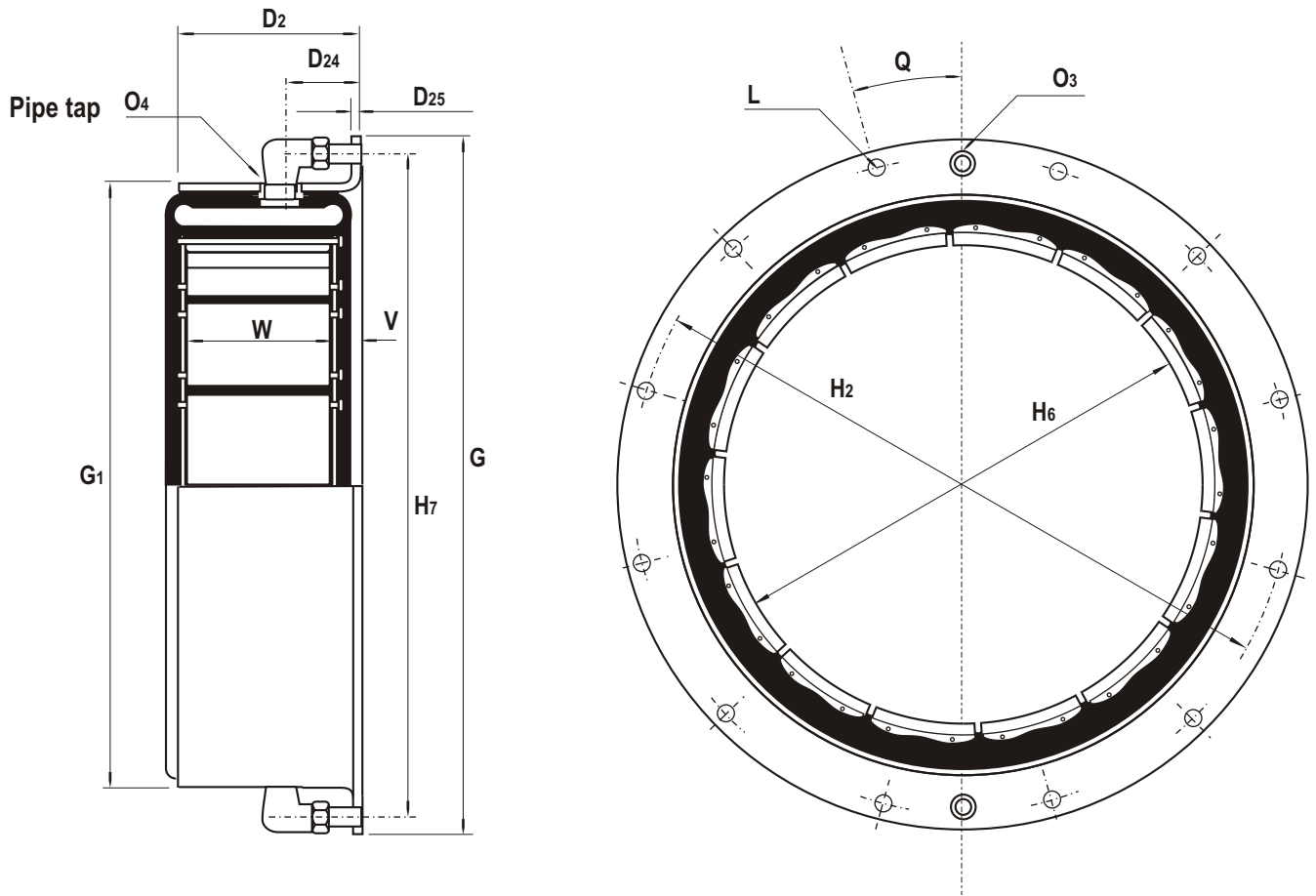


ENGLISH		lb.in @75 psi	rpm	psi/rpm ²	lb-ft ²	lb	in ²	Inches		in ³	inches
								new	worn		
3FK150	100001	360	2000	1.5	0.1	1.8	14	0.18	0.04	3	2.90
4FK200	100002	1000	2000	1.7	0.2	2.5	23	0.18	0.03	9	3.90
5FK200	100005	1460	2000	2.0	0.4	3.5	30	0.18	0.04	16	4.90
6FK200	100012	2040	1800	6.0	1.0	7.0	36	0.18	0.06	20	5.90
8FK250	100032	4290	1800	7.0	2.0	9.0	61	0.18	0.06	30	7.90
10FK300	100052	8150	1800	10.0	6.0	19.0	91	0.18	0.06	50	9.90
12FK350	100072	13300	1800	12.0	11.0	26.0	128	0.18	0.06	80	11.90
14FK400	100093	19700	1800	15.0	17.0	31.0	170	0.18	0.06	70	13.90
Size	Part number	M.torque rating	Maximum speed	C.Centrifugal loss constant	Wk ² J	Weight mass	Friction area	Friction lining thickness		Air tube cavity	Minimum drum diameter
3FK150	100001	40.7	2000	0.10	0.00	0.8	90.3	5	1	0.05	74
4FK200	100002	113	2000	0.12	0.01	1.1	148.4	4.77	1	0.15	99
5FK200	100005	165	2000	0.14	0.02	1.6	193.5	4.77	1	0.26	124
6FK200	100012	231	1800	0.41	0.04	3.2	232.2	4.77	2	0.33	150
8FK250	100032	485	1800	0.48	0.08	4.1	393.5	4.77	2	0.49	201
10FK300	100052	921	1800	0.69	0.25	8.6	587.0	4.77	2	0.82	251
12FK350	100072	1500	1800	0.83	0.46	11.8	825.6	4.77	2	1.31	302
14FK400	100093	2227	1800	1.04	0.72	14	1096.7	4.77	2	1.15	353
SI		N.m @5,2 bar	rpm	Bar/rmp ²	Kg-m ²	Kg	cm	new	worn	dm ³	Millimeters
								Millimeters			

* The data displayed in the catalog is current and subject to change without previous notice.

NOTES:

- 1- Refers to basic part number only. Does not include union or hose. When ordering, please specify the number of air inlets and the type of connection.
- 2- Dynamic torque is shown, while the static torque is about 25% greater. In each application, the torque depends on the air pressure and speed.
- 3- Tolerance by size
Size 3 to 5: +0,000/-0,003 ins. (+0,00/-0,8 mm).
6 and next: +0,000/-0,005 ins. (+0,00/-0,13 mm)
- 4- NPT threads. Sizes from 3FK thru 5FK only available with a single air inlet.
The other sizes are available with one or two air inlets.
- 5- The maximum r.p.m. depends on the operational conditions, and may vary according to each application. Consult the factory for applications that exceed the appropriated speed.
- 6- Contact at Drum with worn shoes.



ENGLISH		lb.in @ 75 psi	Dimensions in inches															
3FK150	100001	360	2.16	1.18	0.10	6.299	4.86	5.740	3.15	5.75	8	0.25	0.25	1/8-27	22.500	0.30	6	1.50
4FK200	100002	1000	2.63	1.38	0.09	7.248	5.81	6.688	4.13	6.69	8	0.25	0.19	1/8-27	22.500	0.38	6	2.00
5FK200	100005	1460	2.85	1.50	0.10	8.8819	7.20	8.071	5.16	7.07	8	0.31	0.25	1/8-27	22.500	0.37	6	2.00
6FK200	100012	2040	2.94	1.56	0.09	10.752	9.06	10.000	6.16	10.00	8	0.38	0.31	3/8-18	22.500	0.56	6	2.00
8FK250	100032	4290	3.44	1.91	0.09	12.875	11.19	12.125	8.16	12.13	8	0.38	0.31	3/8-18	22.500	0.56	8	2.50
10FK300	100052	8150	4.13	2.00	0.19	15.373	13.63	14.625	10.13	14.63	12	0.38	0.31	3/8-18	15.000	0.69	10	3.00
12FK350	100072	13300	4.72	2.00	0.19	17.625	15.88	16.875	12-13	16.88	14	0.38	0.31	3/8-18	12.857	0.69	12	3.50
14FK400	100093	19700	5.22	2.00	0.19	19.625	17.88	18.875	14.13	18.88	16	0.38	0.31	3/8-18	11.250	0.69	14	4.00
Size	Part number	M.Torque rating	D ₂	D ₂₄	D ₂₅	G	G ₁	H ₂	H ₆	H ₇	L Bolt		O ₃	O ₄	Q deg.	V	W	
											N.	Size					N.	width
3FK150	100001	40.7	55	30	2	160.0	123	145.8	80	146	8	6	6	1/8-27	22.500	7	6	38
4FK200	100002	113	67	35	2	184.1	148	169.9	105	170	8	6	5	1/8-27	22.500	10	6	51
5FK200	100005	165	72	38	2	224.0	183	205.0	131	205	8	8	6	1/8-27	22.500	9	6	51
6FK200	100012	231	75	40	2	273.1	230	254.0	156	254	8	10	8	3/8-18	22.500	14	6	51
8FK250	100032	485	87	48	2	327.0	284	308.0	207	308	8	10	8	3/8-18	22.500	14	8	64
10FK300	100052	921	105	51	5	390.5	346	371.5	257	371	12	10	8	3/8-18	15.000	17	10	76
12FK350	100072	1503	120	51	5	447.7	403	428.6	308	429	14	10	8	3/8-18	12.857	17	12	89
14FK400	100093	2227	133	51	5	498.5	454	479.4	359	479	16	10	8	3/8-18	11.250	17	14	102
SI	N-m @ 5.2 bar		Dimensions in millimeters															

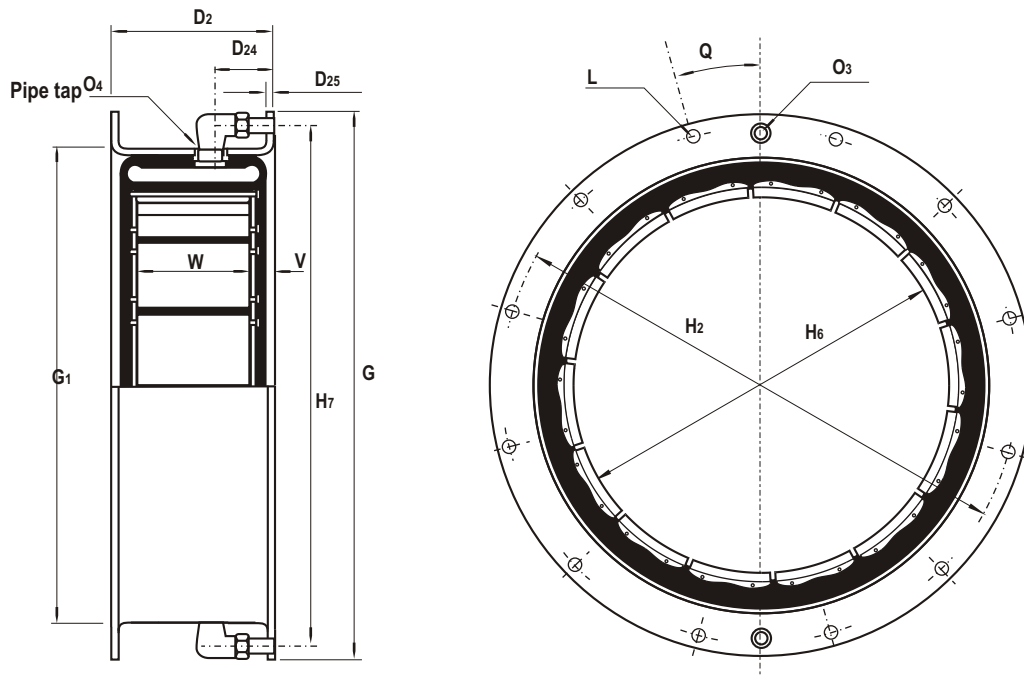
* The data displayed in the catalog is current and subject to change without previous notice.

ENGLISH		lb.in @ 75 psi	rpm	psi/rpm ²	lb-ft ²	lb	in ²	Inches		in ³	Inches
								new	worn		
12FK350	100082	13000	1800	12	12	30	128	0.18	0.06	80	11.90
14FK400	100092	19700	1800	15	21	35	170	0.18	0.06	70	13.90
16FK500	100112	35200	1550	20	52	74	241	0.27	0.06	140	15.87
18FK500	100132	44000	1400	23	70	81	262	0.27	0.06	160	17.87
20FK500	100152	53600	1300	25	90	88	288	0.27	0.06	170	19.87
22FK500	100172	62300	1250	28	114	95	312	0.27	0.06	190	21.87
24FK500	100192	75000	1200	30	142	102	338	0.27	0.06	200	23.87
26FK525	100212	92400	1100	34	210	133	404	0.31	0.06	260	25.81
28FK525	100232	106000	1000	37	252	140	430	0.31	0.06	280	27.81
30FK525	100252	121000	950	40	303	148	458	0.31	0.06	290	29.81
32FK525	100272	137000	900	43	359	157	483	0.31	0.06	310	21.81
38FK525	100292	172000	800	48	510	178	550	0.31	0.06	350	35.81
40FK525	100312	211000	750	52	730	201	610	0.31	0.06	380	39.81
SIZE	Part number ¹	M. Torque rating ²	Maximum speed ⁶	C. Centrifugal loss constant	Wk ² J	Weight mass	Friction area	Friction lining thickness		Air tube cavity ⁷	Minimum drum diameter
12FK350	100082	1470	1800	0.83	0.50	14	826	4.77	2	1.31	302
14FK400	100092	2227	1800	1.04	0.88	16	1097	4.77	2	1.15	353
16FK500	100112	3978	1550	1.38	2.19	34	1555	7	2	2.3	403
18FK500	100132	4973	1400	1.59	2.95	37	1690	7	2	2.62	454
20FK500	100152	6058	1300	1.73	3.79	39	1858	7	2	2.79	505
22FK500	100172	7042	1250	1.03	4.80	43	2013	7	2	3.12	555
24FK500	100192	8477	1200	2.07	5.97	46	2181	7	2	3.28	606
26FK525	100212	10443	1100	2.35	8.84	60	2606	8	2	4.26	656
28FK525	100232	11980	1000	2.55	10.61	63	2774	8	2	4.59	706
30FK525	100252	13676	950	2.76	12.76	67	2955	8	2	4.74	757
32FK525	100272	15484	900	2.97	15.11	71	3116	8	2	5.08	808
38FK525	100292	19440	800	3.31	21.47	81	3548	8	2	5.74	910
40FK525	100312	23848	750	3.59	30.73	91	3935	8	2	6.23	1011
SI		N.m @ 5,2 bar	rpm	Bar/rpm ²	Kg-rpm ²	Kg	cm ²	new	worn	dm ³	Millimeters
								Millimeters			

* The data displayed in the catalog is current and subject to change without previous notice.

NOTES:

- 1- Refers to basic part number only. When ordering, please specify the number of air inlets and the type of connection.
- 2- Dynamic torque is shown, while the static torque is about 25% greater. In each application, the torque depends on the air pressure and speed.
- 3- Tolerance by size
 Size 12 to 24, 28 and 32: +0,000/-0,005 in. (+0,00/-0,13 mm).
 26 and 30: +0,000/-0,008 in. (+0,00/-0,20 mm).
 36 to 45: +0,000/-0,010 in. (+0,00/-0,25 mm).
- 4- NPT threads. Sizes 12 and 14 available with 1 or 2 air inlet.
 The other sizes are available with 1, 2 or 4 air inlets.
- 5- 10° for elements with 1 air inlet, 5° for elements with 2 or 4 air inlets.
- 6- The maximum r.p.m. depends on the operational conditions, and may vary according to each application. Consult the factory for applications that exceed the appropriated speed.
- 7- Contact at Drum with worn shoes.



ENGLISH		lb.in @ 75 psi	Dimensions in inches															
Size	Part number	M. Torque rating	D ₂	D ₂₄	D ₂₅	G	G ₁	H ₂	H ₆	H ₇	L Bolt		O ₃	O ₄	Q deg.	V	W	
											N.	Size					N.	width
12FK350	100082	13300	4.75	2.00	0.19	17.625	15.88	16.875	12.13	16.88	14	0.375	0.31	3/8-18	12.857	0.69	12	3.50
14FK400	100092	19700	5.22	2.00	0.19	19.625	17.88	18.875	14.13	18.88	16	0.375	0.31	3/8-18	11.250	0.69	14	4.00
16FK500	100112	35200	6.63	2.50	0.19	23.500	20.75	22.500	16.19	22.25	8	0.500	0.38	3/8-18	22.500	0.81	10	5.00
18FK500	100132	44000	6.63	2.50	0.19	25.500	22.75	24.375	18.19	24.38	12	0.500	0.38	3/8-18	15.000	0.81	11	5.00
20FK500	100152	53600	6.63	2.50	0.19	27.500	24.75	26.375	20.19	26.38	12	0.500	0.38	3/8-18	15.000	0.81	12	5.00
22FK500	100172	62300	6.63	2.50	0.19	29.500	26.75	28.375	22.19	28.38	12	0.500	0.38	3/8-18	15.000	0.81	13	5.00
24FK500	100192	75000	6.63	2.50	0.19	31.500	28.75	30.375	24.19	30.38	16	0.500	0.38	3/8-18	11.250	0.81	14	5.00
26FK525	100212	92400	6.94	2.50	0.25	34.000	31.00	32.750	26.19	32.50	16	0.625	0.50	1/2-14	11.250	0.84	16	5.25
28FK525	100232	106000	6.94	2.50	0.25	36.000	33.00	34.750	28.19	34.50	16	0.625	0.50	1/2-14	11.250	0.84	17	5.25
30FK525	100252	121000	6.94	2.50	0.25	38.000	35.00	36.750	30.19	36.50	16	0.625	0.50	1/2-14	11.250	0.84	18	5.25
32FK525	100272	137000	6.94	2.50	0.25	40.000	37.00	38.750	32.19	38.50	18	0.625	0.50	1/2-14	5	0.84	19	5.25
36FK525	100292	172000	6.94	2.75	0.28	44.625	41.56	43.125	36.19	43.25	18	0.750	0.63	3/4-14	(5)	0.84	22	5.25
40FK525	100312	211000	6.94	2.75	0.28	48.625	45.56	47.125	40.19	47.25	20	0.750	0.63	3/4-14	9.000	0.84	24	5.25
Size	Part number	M. Torque rating	D ₂	D ₂₄	D ₂₅	G	G ₁	H ₂	H ₆	H ₇	L Bolt		O ₃	O ₄	Q deg.	V	W	
12FK350	100082	1503	120	51	5	447.7	403	428.6	308	429	14	10	8	3/8-18	12.857	17	12	89
14FK400	100092	2227	133	51	5	498.5	454	479.4	359	479	16	10	8	3/8-18	11.250	17	14	102
16FK500	100112	3978	168	64	5	596.9	527	571.5	411	565	8	13	10	3/8-18	22.500	20	10	127
18FK500	100132	4973	168	64	5	647.7	578	619.1	462	619	12	13	10	3/8-18	15.000	20	11	127
20FK500	100152	6058	168	64	5	698.5	629	669.9	513	670	12	13	10	3/8-18	15.000	20	12	127
22FK500	100172	7041	168	64	5	749.3	679	720.7	564	721	12	13	10	3/8-18	15.000	20	13	127
24FK500	100192	8476	168	64	5	800.1	730	771.5	614	772	16	13	10	3/8-18	11.250	20	14	127
26FK525	100212	10443	176	64	6	863.6	787	831.0	665	826	16	16	13	1/2-14	11.250	21	16	133
28FK525	100232	11980	176	64	6	914.4	838	882.7	716	876	16	16	13	1/2-14	11.250	21	17	133
30FK525	100252	13676	176	64	6	965.2	889	933.5	767	927	16	16	13	1/2-14	11.250	21	18	133
32FK525	100272	15484	176	64	6	1016.0	940	984.3	818	978	18	16	13	1/2-14	5	21	19	133
36FK525	100292	19440	176	70	7	1133.5	1056	1095.4	919	1099	18	19	16	3/4-14	(5)	21	22	133
40FK525	100312	23848	176	70	7	1235.1	1157	1197.0	1021	1200	20	19	16	3/4-14	9.000	21	24	133
SI		N-m @ 5.2 bar	Dimensions in millimeters															

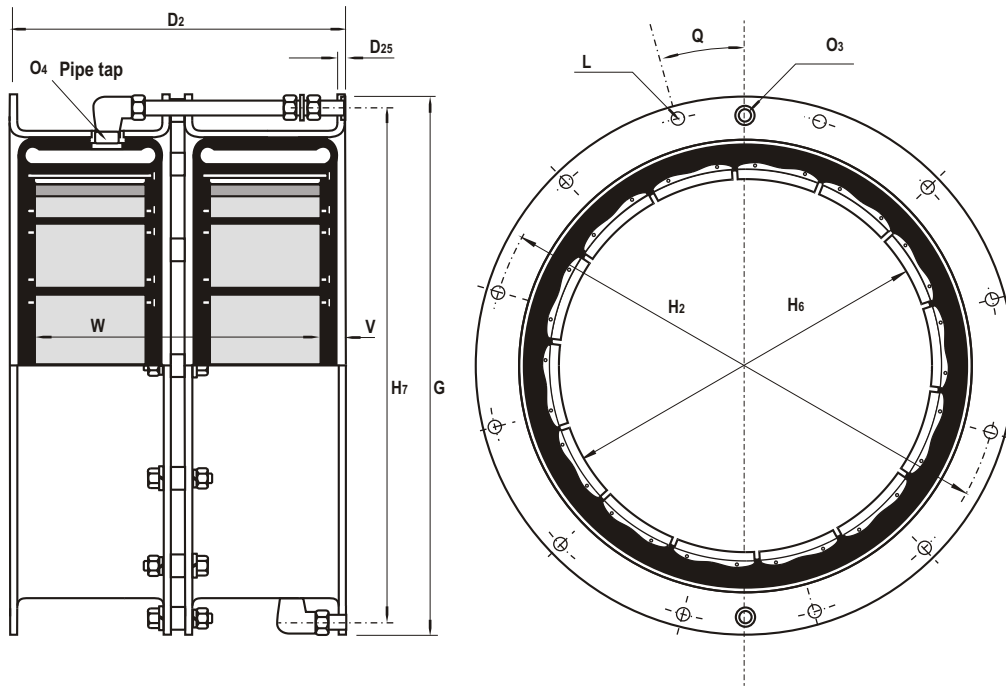
* The data displayed in the catalog is current and subject to change without previous notice.

ENGLISH		lb.in @ 75 psi	rpm	psi/rpm ²	lb-ft ²	lb	pulg ²	Inches		in ³	Inches
								new	worn		
12FK350	100397	26600	1800	12	25	62	256	0.18	0.06	160	11.90
14FK400	100399	39400	1800	15	42	75	340	0.18	0.06	140	13.90
16FK500	100401	70400	1550	20	106	151	482	0.27	0.06	280	15.87
18FK500	100403	88000	1400	23	144	166	524	0.27	0.06	320	17.87
20FK500	100405	107200	1300	25	185	180	576	0.27	0.06	340	19.87
22FK500	100407	124600	1250	28	233	194	624	0.27	0.06	380	21.87
24FK500	100409	150000	1200	30	292	209	676	0.27	0.06	400	23.87
26FK525	100411	184800	1050	34	432	272	808	0.31	0.06	520	25.81
28FK525	100413	212000	1000	37	517	286	860	0.31	0.06	560	27.81
30FK525	100415	242000	950	40	621	302	916	0.31	0.06	580	29.81
32FK525	100418	274000	900	43	736	321	966	0.31	0.06	620	31.81
36FK525	100419	344000	800	48	1052	366	1100	0.31	0.06	700	35.81
40FK525	100421	422000	750	52	1502	413	1220	0.31	0.06	760	39.81
Size	Part number ¹	M. Torque rating ²	Maximum speed ⁶	C.Centrifugal loss constant	Wk ² J	Weight mass	Friction area	Friction lining thickness		Air tube cavity ⁷	Minimum drum diameter
12FK350	100397	3006	1800	0.83	1.05	28	1651	5	2	2.62	302
14FK400	100399	4453	1800	1.04	1.76	34	2193	5	2	2.30	352
16FK500	100401	7957	1550	1.38	4.46	68	3109	7	2	4.59	403
18FK500	100403	9946	1400	1.59	6.06	75	3380	7	2	5.25	454
20FK500	100405	12116	1300	1.73	7.77	82	3716	7	2	5.58	505
22FK500	100407	14083	1250	1.93	9.80	88	4226	7	2	6.23	555
24FK500	100409	16954	1200	2.07	12.30	95	4361	7	2	6.56	606
26FK525	100411	20887	1050	2.35	18.19	123	5212	8	2	8.53	656
28FK525	100413	23961	1000	2.55	21.71	130	5548	8	2	9.18	706
30FK525	100415	27352	950	2.76	26.14	137	5910	8	2	9.15	757
32FK525	100418	30969	900	2.97	30.98	145	6232	8	2	10.2	808
36FK525	100419	38881	800	3.31	44.21	166	7097	8	2	11.5	910
40FK525	100421	47697	750	3.59	63.23	187	7871	8	2	12.5	1011
SI		N.m @ 5,2 bar	rpm	Bar/rpm ²	Kg-m ²	Kg	cm ²	new worn Millimeters		dm ³	Millimeters

* The data displayed in the catalog is current and subject to change without previous notice.

NOTES:

- Refers to basic part number only. When ordering, please specify the number of air inlets and the type of connection.
- Dynamic torque is shown, while the static torque is about 25% greater. In each application, the torque depends on the air pressure and speed.
- Tolerance by size
Size 12 to 24, 28 and 32: +0,000/-0,005 in. (+0,00/-0,13 mm).
26 and 30: +0,000/-0,008 in. (+0,00/-0,20 mm).
36 to 45: +0,000/-0,010 in. (+0,00/-0,25 mm).
- NPT threads. Sizes 12 to 14 available with 2 air inlet.
The other sizes are available with 2 or 4 air inlets.
- 10° for elements with 1 air inlet, 5° for elements with 2 or 4 air inlets.
- The maximum r.p.m. depends on the operational conditions, and may vary according to each application. Consult the factory for applications that exceed the appropriated speed.
- Contact at Drum with worn shoes.



ENGLISH		lb.in @ 75 psi	Dimensions in inches													
Size	Part number	M. Torque rating	D ₂	D ₂₅	G	H ₂	H ₃	H ₇	L Bolt		O ₃	O ₄	Q Deg.	V	W	
									N.	Size					N.	width
12FK350	100397	26600	10.13	0.19	17.625	16.875	12.13	16.88	14	0.375	0.31	3/8-18	12.875	0.69	24	8.75
14FK400	100399	39400	11.13	0.19	19.625	18.875	14.13	18.88	16	0.375	0.31	3/8-18	11.250	0.69	28	9.75
16FK500	100401	70400	13.36	0.19	23.500	22.500	16.19	22.25	8	0.500	0.38	3/8-18	22.500	0.81	20	12.00
18FK500	100405	88000	13.36	0.19	25.500	24.375	18.19	24.38	12	0.500	0.38	3/8-18	15.000	0.81	22	12.00
20FK500	100407	107200	13.36	0.19	27.500	26.275	20.19	26.38	12	0.500	0.38	3/8-18	15.000	0.81	24	12.00
22FK500	100409	124600	13.36	0.19	29.500	28.375	22.19	28.28	12	0.500	0.38	3/8-18	15.000	0.81	26	12.00
24FK500	100411	150000	13.36	0.19	31.500	30.375	24.19	30.28	16	0.500	0.38	3/8-18	11.250	0.81	28	12.00
26FK525	100413	184800	14.25	0.25	34.000	32.375	26.19	32.50	16	0.625	0.50	1/2-14	11.250	0.84	32	12.56
28FK525	100415	212000	14.44	0.25	36.000	34.750	28.19	34.50	16	0.625	0.50	1/2-14	11.250	0.84	34	12.69
30FK525	100415	242000	14.44	0.25	38.000	36.750	30.19	36.50	16	0.625	0.50	1/2-14	11.250	0.84	36	12.69
32FK525	100418	274000	14.44	0.25	40.000	38.750	32.19	38.50	18	0.625	0.50	1/2-14	5	0.84	38	12.69
36FK525	100419	344000	14.44	0.25	44.625	43.125	36.19	43.25	18	0.750	0.63	3/4-14	5	0.84	44	12.69
40FK525	100421	422000	14.44	0.25	48.625	47.125	40.19	47.25	20	0.750	0.63	3/4-14	9.000	0.84	48	12.69
									L Bolt						W	
									N.	Size	O ₃	O ₄	Q Deg.	V	N.	width
12FK350	100397	3006	257	5	447.7	428.6	398	429	14	10	8	3/8-18	12.857	17	24	222
14FK400	100399	4453	283	5	498.5	479.4	359	479	16	10	8	3/8-18	11.250	17	28	248
16FK500	100401	7957	346	5	596.9	571.5	411	565	8	13	10	3/8-18	22.500	20	20	305
18FK500	100403	9946	346	5	647.7	619.1	462	619	12	13	10	3/8-18	15.000	20	22	305
20FK500	100405	12116	346	5	698.5	669.9	513	670	12	13	10	3/8-18	15.000	20	24	305
22FK500	100407	14083	346	5	749.3	720.7	564	721	12	13	10	3/8-18	15.000	20	26	305
24FK500	100409	16954	346	5	800.1	771.5	614	772	16	13	10	3/8-18	11.250	20	28	319
26FK525	100411	20887	362	6	863.6	831.9	665	826	16	16	13	1/2-14	11.250	21	32	322
28FK525	100413	23961	367	6	914.4	882.7	716	876	16	16	13	1/2-14	11.250	21	34	322
30FK525	100415	27352	367	6	965.2	933.5	767	927	16	16	13	1/2-14	11.250	21	36	322
32FK525	100418	30969	367	6	1016.0	984.3	818	978	18	16	13	1/2-14	5	21	38	322
36FK525	100419	38881	367	6	1133.5	1095.4	919	1099	18	19	16	3/4-14	5	21	44	322
40FK525	100421	47696	367	6	1235.1	1197.0	1021	1200	20	19	16	3/4-14	9.000	21	48	322
SI		N-m @ 5.2 bar	Dimensions in millimeters													

* The data displayed in the catalog is current and subject to change without previous notice.

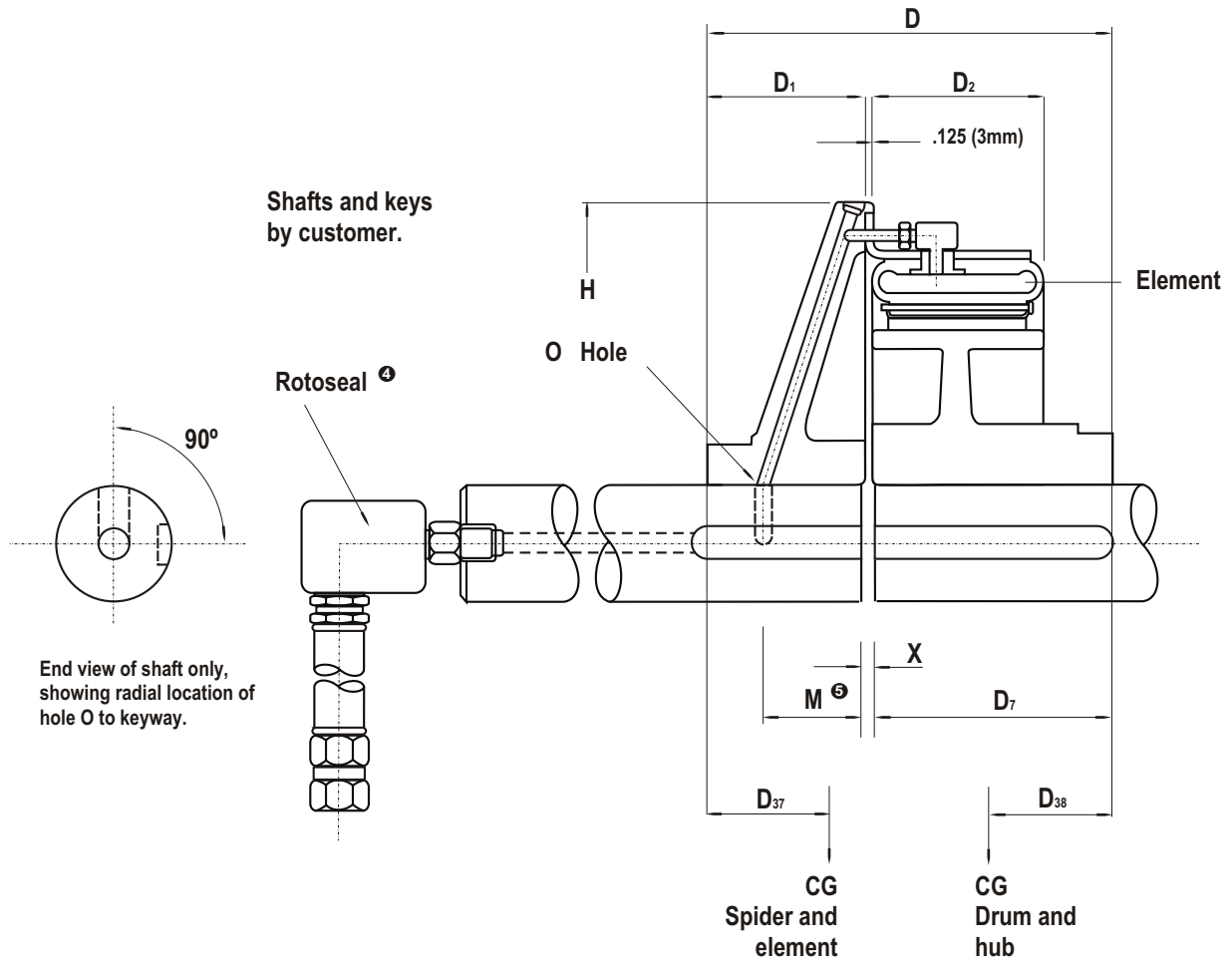
SIZE	Element assembly		Part number	Spider	
	one inlet	two inlets	Integral drum and hub	one inlet	two inlets
6FK200	100012	100015	212314	204010	204012
8FK250	100032	100033	212315	204020	204022
10FK300	100052	100055	212316	204030	204032
12FK350	100072	100073	212317	204040	204032
14FK400	100093	100095	212318	204050	204052

ENGLISH	lb	lb-ft ²	lb	lb-ft ²	lb	lb-ft ²
6FK200	7	1	10	0.3	15	1.2
8FK250	9	2	19	0.8	19	2.3
10FK300	19	6	33	2.5	40	5.3
12FK350	26	11	53	5.4	46	8.1
14FK400	31	17	65	8.5	50	11.2
SIZE	Wk ²		Weight	Wk ²	Weight	Wk ²
	Element		Integral drum and hub	Spider		
	J		Mass	J	Mass	J
6FK200	3.2	0.04	4.5	0.01	6.8	0.05
8FK250	4.1	0.08	8.6	0.03	8.6	0.10
10FK300	8.6	0.25	15	0.11	18	0.22
12FK350	12	0.46	24	0.23	21	0.34
14FK400	14	0.71	29	0.36	23	0.47
SI	Kg	Kg-m ²	Kg	Kg-m ²	Kg	Kg-m ²

* The data displayed in the catalog is current and subject to change without previous notice.

NOTES:

- 1- Refers to basic part number only. Does not include union or hose. When ordering, please specify the number of air inlets and the type of connection.
- 2- Dynamic torque is shown, while the static torque is about 25% greater. In each application, the torque depends on the air pressure and speed.
- 3- Based upon minimum bores. Rotoseal and hose not included.
- 4- Refer to rotoseal section for mounting and dimension information.
- 5- $M \text{ (in)} = 0.268 \text{ (H/2 radius of bore)} + Y_1$
 $M \text{ (mm)} = 6,8 \text{ (H/2 radius of bore)} + Y_1$
- 6- Based upon minimum bores.



ENGLISH		lb.in @75 psi	Dimensions in inches												
6FK200	206012	2040	32	1.00	2.50	5.63	2.38	2.94	2.88	2.40	1.50	11.13	0.44	0.38	0.34
8FK250	206022	4290	47	1.00	2.88	6.75	2.88	3.44	3.50	2.70	1.90	13.25	0.44	0.38	0.41
10FK300	206032	8150	92	1.25	3.31	8.00	3.56	4.13	4.00	2.50	2.10	15.75	0.44	0.44	0.41
12FK350	206042	13300	125	1.50	3.31	8.94	4.00	4.72	4.50	3.20	2.30	18.00	0.44	0.44	0.34
14FK400	206052	19700	146	2.00	4.25	9.96	4.43	5.22	5.00	3.40	2.60	20.00	0.44	0.56	0.34
Size	Part number ¹	M. Torque rating ²	Total weight ³	Bore range		D	D ₁	D ₂	D ₇	D ₃₇	D ₃₈	H	O	X	Y ₁
				min	max										
6FK200	206012	231	14	25	64	143	60	75	73	61	38	283	11	10	9
8FK250	206022	485	21	25	73	171	73	87	89	69	48	337	11	10	10
10FK300	206032	921	42	32	84	203	90	105	102	64	53	400	11	11	10
12FK350	206042	1503	57	38	84	227	102	120	114	81	58	457	11	11	9
14FK400	206052	2223	66	51	108	253	110	133	127	86	66	508	11	14	9
SI		N-m @ 5.2 bar	Dimensions in millimeters												

* The data displayed in the catalog is current and subject to change without previous notice.

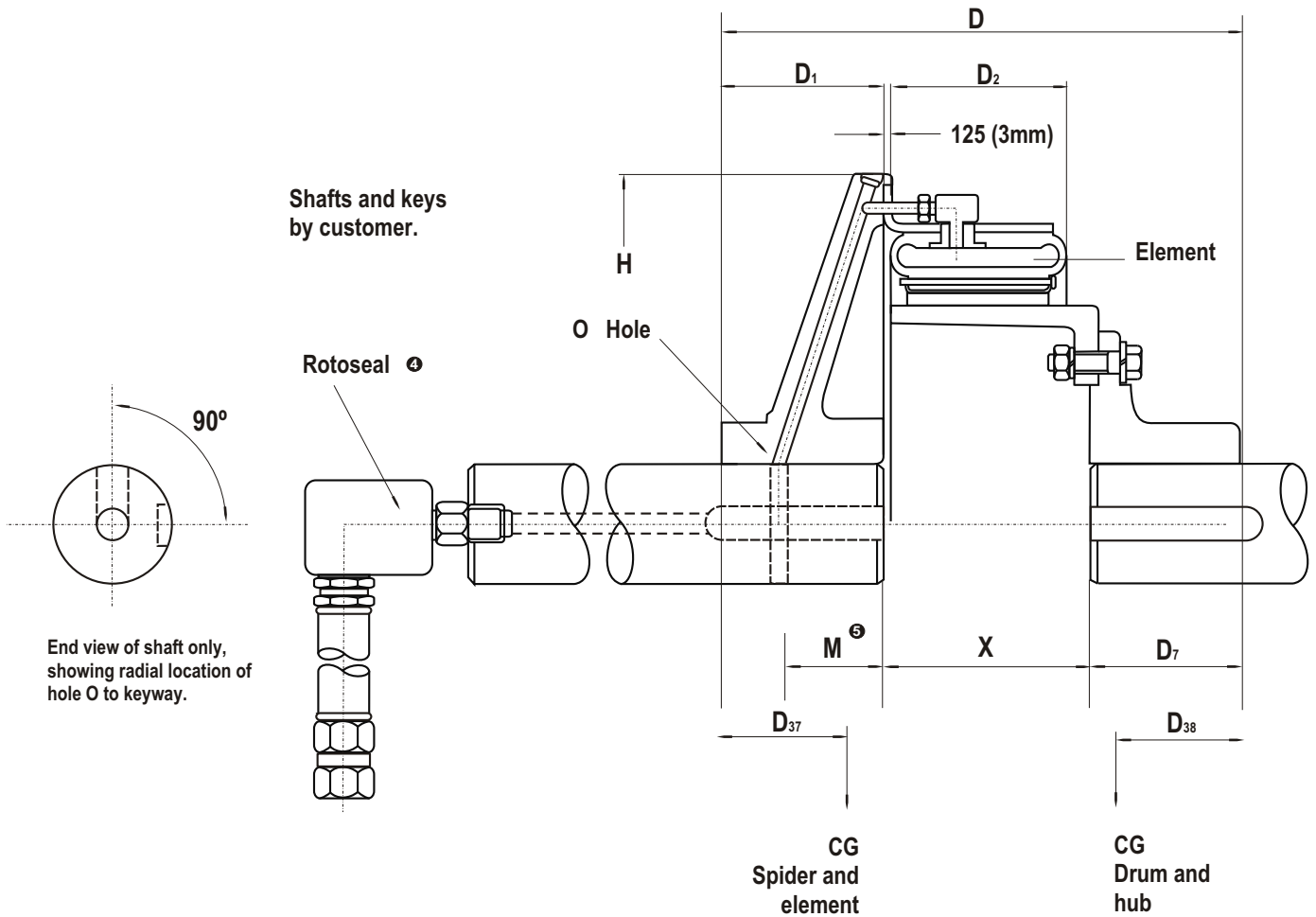
Size	Element assembly		Part number		Spider	
	one inlet	two inlets	drum	drum hub	one inlet	two inlets
6FK200	100012	100015	21004	203010	204010	204012
8FK250	100032	100033	21005	203020	204020	204022
10FK300	100052	100055	21006	203030	204030	204032
12FK350	100072	100073	21007	203040	204040	204042
14FK400	100093	100095	21008	203050	204050	204052

ENGLISH	lb ⁶	lb-ft ²	lb	lb-ft ²	lb	lb-ft ²	lb	lb-ft ²
6FK200	7	1	5.5	0.3	8	0.1	15	1.2
8FK250	9	2	12.5	1.1	11	0.3	19	2.3
10FK300	19	6	19	2.7	22	0.8	40	5.3
12FK350	26	11	30	5.9	22	0.8	46	8.1
14FK400	31	17	38	10.5	54	3.2	50	11.2
SIZE	Peso	Wk ²	Weight	Wk ²	Weight	Wk ²	Weight	Wk ²
	Element		Drum		drum hub		Spider	
	Peso	J	Mass	J	Mass	J	Mass	J
6FK200	3.2	0.04	2.5	0.01	3.6	0.00	6.8	0.05
8FK250	4.1	0.08	5.7	0.05	5.0	0.01	8.6	0.10
10FK300	8.6	0.25	8.6	0.11	10.0	0.03	18	0.22
12FK350	12	0.46	14	0.25	10.0	0.03	21	0.34
14FK400	14	0.71	17	0.44	24	0.13	23	0.47
SI	Kg ⁶	Kg-m ²	Kg	Kg-m ²	Kg	Kg-m ²	Kg	Kg-m ²

* The data displayed in the catalog is current and subject to change without previous notice.

NOTES:

- 1- Refers to basic part number only. Does not include union or hose. When ordering, please specify the number of air inlets and the type of connection.
- 2- Dynamic torque is shown, while the static torque is about 25% greater. In each application, the torque depends on the air pressure and speed.
- 3- Based upon minimum bores. Rotoseal and hose are not included.
- 4- Refer to rotoseal section for mounting and dimensional information.
- 5- $M \text{ (in)} = 0.268 \text{ (H/2 radius of bore)} + Y_1$
 $M \text{ (mm)} = 6,8 \text{ (H/2 radius of bore)} + Y_1$
- 6- Based upon minimum bores.



ENGLISH		lb.in @ 75 psi	Dimensions in inches												
6FK200	206010	2040	35.5	1.00	2.50	8.38	2.38	2.94	2.75	2.40	2.40	11.13	0.44	3.25	0.34
8FK250	206020	4290	51.5	1.00	2.88	9.38	2.88	3.44	2.75	2.70	2.70	13.25	0.44	3.75	0.41
10FK300	206030	8150	100	1.25	3.31	11.19	3.56	4.13	3.25	2.50	2.50	15.75	0.44	4.38	0.41
12FK350	206040	13300	124	1.50	3.31	12.25	4.00	4.72	3.25	3.20	3.20	18.00	0.44	5.00	0.34
14FK400	206050	19700	173	2.00	4.25	14.84	4.34	5.22	5.00	3.40	3.40	20.00	0.44	5.50	0.34
Size	Part number	M. Torque rating	weight mass	Bore range		D	D ₁	D ₂	D ₇	D ₃₇	D ₃₈	H	O	X	Y ₁
				min	max										
6FK200	206010	231	16	25	64	213	60	75	70	61	61	283	11	83	9
8FK250	206020	485	23	25	73	238	73	87	70	69	69	337	11	95	10
10FK300	206030	921	45	32	84	284	90	105	83	64	81	400	11	111	10
12FK350	206040	1503	56	38	84	311	102	120	83	81	89	457	11	127	9
14FK400	206050	2227	78	51	108	377	110	133	127	86	109	508	11	140	9
SI		N-m @ 5.2 bar	Dimensions in millimeters												

* The data displayed in the catalog is current and subject to change without previous notice.

SIZE	Part number				
	Element assembly		Drum	drum hub	Spider
	one inlet	two inlets			
26FK525	100212	100216	212014	203110	204110
28FK525	100232	100236	212015	203120	204120
30FK525	100252	100260	212016	203130	204130
32FK525	100272	100277	2120117	203140	204140
36FK525	100292	100296	2120118	2030150	204150

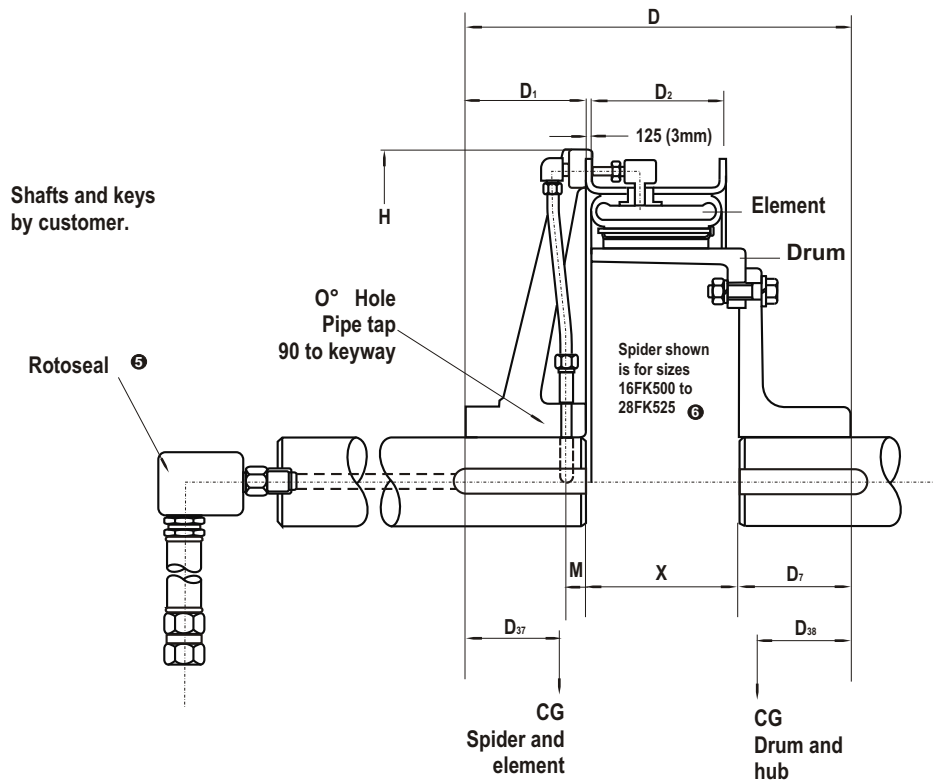
SIZE	Part number				
	Element assembly		Drum	drum hub	Spider
	one inlet	two inlets			
16FK500	100112	100117	212009	203060	204060
18FK500	100132	100137	212010	203070	204070
20FK500	100152	100156	212011	203080	204080
22FK500	100172	100176	212012	203090	204090
24FK500	100192	100196	212013	2030100	2040100

English	lb	lb-ft ²	lb	lb-ft ²	lb	lb-ft ²	lb	lb-ft ²
16FK500	74	52	50	19	74	6.6	146	53
18FK500	81	70	67	31	83	9	152	63
20FK500	88	90	72	43	97	16	183	91
22FK500	95	114	79	58	133	25	227	123
24FK500	102	142	93	80	142	33	257	150
26FK525	133	210	108	110	164	43	298	220
28FK525	140	252	117	140	172	55	337	270
30FK525	148	303	140	192	213	69	341	390
32FK525	157	359	160	252	234	97	392	453
36FK525	178	510	160	319	319	157	505	710
40FK525	201	730	209	523	344	241	646	774
SIZE	weight	Wk ²	weight	Wk ²	weight	Wk ²	weight	Wk ²
	Element assembly		Drum		drum hub		Spider	
	mass	J	mass	J	mass	J	mass	J
16FK500	34	2.18	23	0.80	34	0.28	66	2.23
18FK500	37	2.94	30	1.30	38	0.38	69	2.65
20FK500	40	3.78	33	1.81	44	0.67	83	3.83
22FK500	43	4.79	36	2.44	60	1.05	103	5.17
24FK500	46	5.9	42	3.36	64	1.39	116	6.31
26FK525	60	8.84	49	4.63	74	1.81	135	9.26
28FK525	63	10.60	53	5.90	78	2.31	153	11.37
30FK525	67	12.75	63	8.08	97	2.90	155	16.42
32FK525	71	15.11	72	10.60	106	4.08	178	19.07
36FK525	81	21.47	72	13.43	145	6.61	229	29.90
40FK525	91	30.73	95	22.01	156	9.00	210	32.59
SI	Kg	Kg-m ²	Kg	Kg-m ²	Kg	Kg-m ²	Kg	Kg-m ²

* The data displayed in the catalog is current and subject to change without previous notice.

NOTES:

- 1- Refers to basic part number only. Does not include union or hose. When ordering, please specify the number of air inlets and the type of connection.
- 2- Dynamic torque is shown, while the static torque is about 25% greater. In each application, the torque depends on the air pressure and speed.
- 3- Based upon minimum bores. Rotoseal and hose are not included.
- 4- NPT threads.
- 5- Refer to rotoseal section for mounting and dimension information.
- 6- Refer to FK Spider piping and configuration catalog page for other sizes.
- 7- Based upon minimum bores.



ENGLISH		lb.in @ 75 psi	Dimensions in inches													
16FK500	206060	35200	C2	344	2.00	4.88	18.31	5.50	6.63	5.75	5.20	5.30	24.00	1.44	3/8-18	7.06
18FK500	206070	44000	C2	383	2.25	5.00	18.31	5.50	6.63	5.75	5.30	5.40	26.00	1.44	3/8-18	7.06
20FK500	206080	53600	C2	440	2.50	5.00	18.31	5.50	6.63	5.75	5.30	5.50	28.00	1.44	3/8-18	7.06
22FK500	206090	62300	C2	534	2.75	5.69	19.56	6.00	6.63	6.50	5.40	5.80	30.00	1.44	3/8-18	7.06
24FK500	206100	75000	C2	594	2.75	5.69	20.06	6.50	6.63	6.50	5.60	5.90	32.00	1.44	3/8-18	7.06
26FK525	206110	92400	C2	703	2.75	5.69	20.50	6.50	6.94	6.50	5.90	6.00	34.63	1.44	3/8-18	7.50
28FK525	206120	106000	C2	366	2.75	5.69	21.50	7.50	6.94	6.50	6.60	6.00	36.63	1.44	3/8-18	7.50
30FK525	206130	121000	C2	842	3.00	6.31	23.00	7.50	6.94	8.00	6.80	7.20	38.63	1.44	3/8-18	7.50
32FK525	206140	137000	C2	943	3.00	6.06	23.00	7.50	6.94	8.00	6.60	7.40	40.63	1.44	3/8-18	7.50
36FK525	206150	172000	C2	1162	4.00	7.00	25.00	8.50	6.94	9.00	7.10	7.70	45.25	1.44	1/2-14	7.50
40FK525	206160	211000	D2	1281	4.00	7.00	25.00	8.50	6.94	9.00	7.60	8.10	49.25	1.44	1/2-14	7.50
Size	Part number	M. Torque rating	Rotoseal size	weight mass	Bore range		D	D ₁	D ₂	D ₇	D ₃₇	D ₃₈	H	M	O	X
					min	max										
16FK500	206060	3978	C2	156	51	124	465	140	168	146	132	135	610	37	3/8-18	179
18FK500	206070	4973	C2	173	57	127	465	140	168	146	135	137	660	37	3/8-18	179
20FK500	206080	6058	C2	199	64	127	465	140	168	146	135	140	711	37	3/8-18	179
22FK500	206090	7041	C2	242	70	144	497	152	168	165	137	147	762	37	3/8-18	179
24FK500	206100	8477	C2	269	70	144	510	165	168	165	142	150	813	37	3/8-18	179
26FK525	206110	10443	C2	318	70	144	521	165	176	165	150	152	879	37	3/8-18	191
28FK525	206120	11981	C2	347	70	144	546	191	176	165	168	152	930	37	3/8-18	191
30FK525	206130	13676	C2	381	76	160	584	191	176	203	173	183	981	37	3/8-18	191
32FK525	206140	15484	C2	427	76	154	584	191	176	203	168	188	1032	37	3/8-18	191
36FK525	206150	19440	C2	527	102	178	635	216	176	229	180	196	1149	37	1/2-14	191
40FK525	206150	23848	D2	552	102	178	635	216	176	229	193	206	1251	37	1/2-14	191
SI	N-m @ 5.2 bar		kg		Bore range in millimeters											

* The data displayed in the catalog is current and subject to change without previous notice.

SIZE	Part number				
	Element assembly		Drum	Drum hub	Spider
	one inlet	four inlets			
12FK350	100397		212027	203031	204041
14FK400	100399		212028	203051	204051
16FK500	100401	100401	212029	203061	204061
18FK500	100403	100403	212030	203071	204071
20FK500	100405	100405	212031	203081	204081
22FK500	100407	100407	212032	203091	204091
24FK500	100409	100409	212033	203101	204101

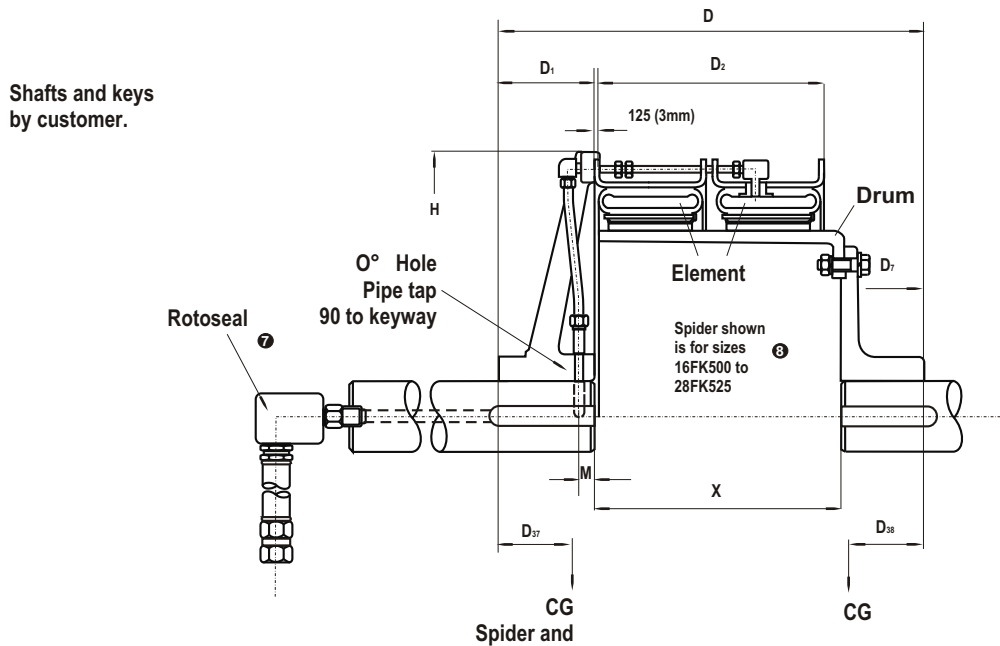
SIZE	Part number				
	Element assembly		Drum	Drum hub	Spider
	one inlet	four inlets			
26FK525	100411	100411	212034	203111	204111
28FK525	100413	100413	212035	203121	204121
30FK525	100415	100415	212036	203131	204131
32FK525	100418	100418	212037	203141	204141
36FK525	100419	100419	212038	203151	204151
40FK525	100421	100421	212039	203161	204161

SIZE	lb	lb-ft ²	lb	lb-ft ²	lb	lb-ft ²	lb	lb-ft ²
12FK350	58	24	61	13	22	0.8	46	8.1
14FK400	75	42	83	24	54	3.2	50	11.2
16FK500	151	106	109	43	74	6.6	146	53
18FK500	166	144	126	63	83	9	152	63
20FK500	180	185	139	87	97	16	183	91
22FK500	194	233	152	117	133	25	227	123
24FK500	209	292	173	156	142	33	257	150
26FK525	272	432	198	211	164	43	298	220
28FK525	286	517	216	268	172	55	337	270
30FK525	302	621	237	337	213	69	341	390
32FK525	321	736	254	413	234	97	392	453
36FK525	366	1052	287	597	319	157	505	710
40FK525	413	1502	327	840	344	214	464	774
SIZE	weight	Wk ²	weight	Wk ²	weight	Wk ²	weight	Wk ²
	Element assembly		Drum		drum hub		Spider	
	mass	J	mass	J	mass	J	mass	J
12KF350	26	1.01	28	0.55	10	0.03	21	0.34
14FK400	34	1.76	38	1.01	24	0.13	23	0.47
16FK500	68	4.46	49	1.81	34	0.28	66	2.23
18FK500	75	6.06	57	2.65	38	0.38	69	2.65
20FK500	82	7.79	63	3.65	44	0.67	83	3.83
22FK500	88	9.80	69	4.93	60	1.05	103	5.17
24FK500	95	12.29	78	6.57	64	1.39	116	6.30
26FK525	123	18.18	90	8.88	74	1.81	135	9.26
28FK525	130	21.76	98	11.28	78	2.31	153	11.37
30FK525	137	26.14	107	14.19	97	2.90	155	16.42
32FK525	146	30.98	115	17.39	106	4.08	178	19.07
36FK525	166	44.28	130	25.13	145	6.61	229	29.89
40FK525	187	63.23	148	35.36	156	9.00	210	32.58
SI	Kg	Kg-m ²	Kg	Kg-m ²	Kg	Kg-m ²	Kg	Kg-m ²

* The data displayed in the catalog is current and subject to change without previous notice.

NOTES:

- 1- Refers to basic part number only. Does not include union or hose. When ordering, please specify the number of air inlets and the type of connection.
- 2- Dynamic torque is shown, while the static torque is about 25% greater. In each application, the torque depends on the air pressure and speed.
- 3- Based upon minimum bores. Rotoseal and hose are not included.
- 4- $M (in) = 0,268 (H/2 - \text{radius of bore}) + 0,34$ $M (mm) = 6,8 (H/2 - \text{radius of bore}) + 8,7$
- 5- NPT thread.
- 6- Pipe tap not required. Thru hole diameter 0.44 in (11 mm).
- 7- Refer to rotoseal section for mounting and dimension information.
- 8- Refer to FK Spider piping and configuration catalog page for other sizes.
- 9- Based upon minimum bores.



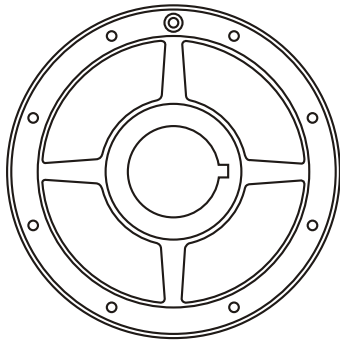
Shafts and keys
by customer.

ENGLISH		lb.in @75 psi	lb		Dimensions in inches													
Size	Part number	M. Torque rating	Rotoseal size	weight mass	min	max	Bore range min	max	D	D ₁	D ₂	D ₇	D ₃₇	D ₃₈	H	M	O	X
12FK350	206141	26600	C2	187	1.50	2.63	17.75	4.00	10.13	3.25	6.20	5.80	18.00	4	6	10.50		
14FK400	206151	39400	C2	262	2.00	3.56	20.84	4.34	11.13	5.00	7.40	6.70	20.00	4	6	11.50		
16FK500	206160	70400	C2	480	2.00	4.13	25.25	5.50	13.63	5.75	8.00	8.00	24.00	1.44	3/8-18	14.00		
18FK500	206170	88000	C2	527	2.25	4.38	25.25	5.50	13.63	5.75	8.10	8.00	26.00	1.44	3/8-18	14.00		
20FK500	206180	107200	C2	599	2.25	3.81	25.25	5.50	13.63	5.75	7.70	8.10	28.00	1.44	3/8-18	14.00		
22FK500	206190	124600	C2	706	2.75	4.50	26.50	6.00	13.63	6.50	7.90	8.30	30.00	1.44	3/8-18	14.00		
24FK500	2062200	150000	C2	781	2.75	4.50	27.00	6.50	13.63	6.50	8.10	8.30	32.00	1.44	3/8-18	14.00		
26FK525	206210	184800	D2	932	2.75	4.50	27.63	6.50	14.25	6.50	8.70	8.40	34.63	1.44	3/8-18	14.63		
28FK525	206220	212000	D2	1011	2.75	3.81	28.75	7.50	14.44	6.50	9.30	8.70	36.63	1.44	3/8-18	14.75		
30FK525	206230	242000	D2	1093	3.00	4.50	30.25	7.50	14.44	8.00	9.50	9.50	38.63	1.44	3/8-18	14.75		
32FK525	206240	274000	D2	1201	3.00	4.00	30.25	7.50	14.44	8.00	9.30	9.70	40.63	1.44	3/8-18	14.75		
36FK525	206250	344000	D2	1477	4.00	5.75	32.25	8.50	14.44	9.00	9.70	9.90	45.25	1.44	1/2-14	14.75		
40FK525	206260	422000	R2	1548	4.00	4.88	32.25	8.50	14.44	9.00	10.40	10.10	49.25	1.44	1/2-14	14.75		

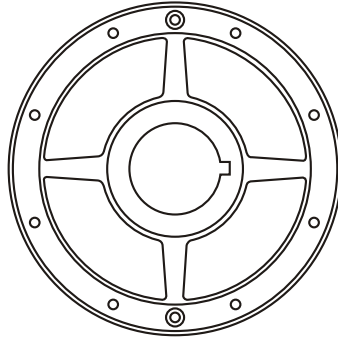
SI	N-m @5.2 bar	lb		Dimensions in millimeters														
12FK350	206141	3006	C2	85	38	67	451	102	257	83	157	147	457	4	6	267		
14FK400	206151	4453	C2	119	51	90	529	110	283	127	188	170	508	4	6	292		
16FK500	206160	7957	C2	217	51	105	641	140	346	146	203	203	610	37	3/8-18	356		
18FK500	206170	9946	C2	239	57	111	641	140	346	146	206	203	660	37	3/8-18	356		
20FK500	206180	12116	C2	271	64	97	641	140	346	146	196	206	711	37	3/8-18	356		
22FK500	206190	14082	C2	320	70	114	673	152	346	165	201	211	762	37	3/8-18	356		
24FK500	2062200	16953	C2	354	70	114	686	165	346	165	206	211	813	37	3/8-18	356		
26FK525	206210	20887	D2	422	70	114	702	165	362	165	221	213	879	37	3/8-18	372		
28FK525	206220	23961	D2	458	70	97	730	191	367	165	236	221	930	37	3/8-18	375		
30FK525	206230	27352	D2	495	76	114	768	191	367	203	241	241	981	37	3/8-18	375		
32FK525	206240	30969	D2	544	76	102	768	191	367	203	236	246	1032	37	3/8-18	375		
36FK525	206250	38880	D2	669	102	146	819	216	367	229	246	251	1149	37	1/2-14	375		
40FK525	206260	47697	R2	7021	102	124	819	216	367	229	264	257	1251	37	1/2-14	375		

* The data displayed in the catalog is current and subject to change without previous notice.

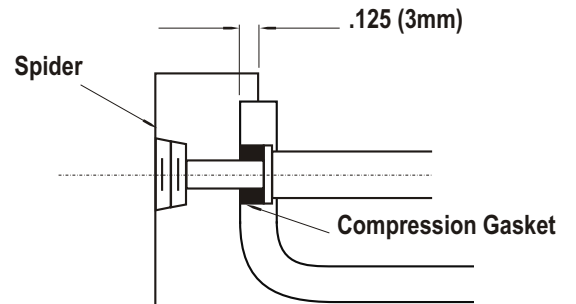
Element sizes 6 to 14



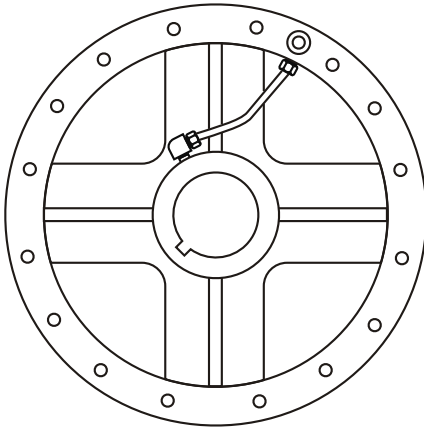
Single Connection



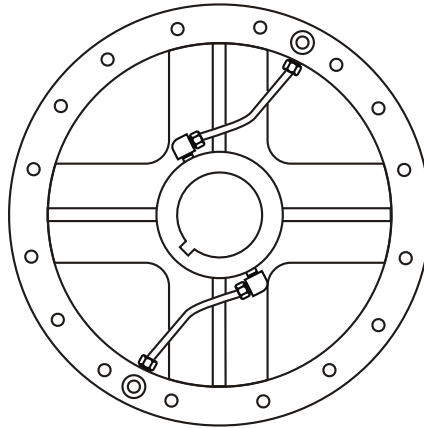
Two Connections



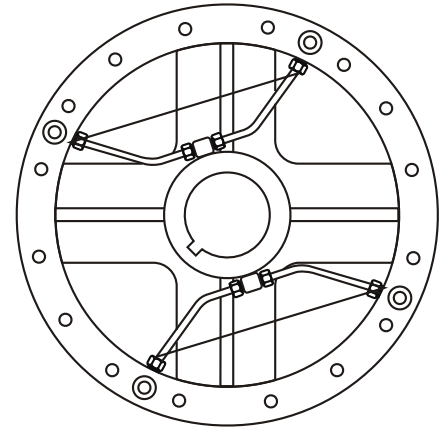
Element sizes 16 to 45



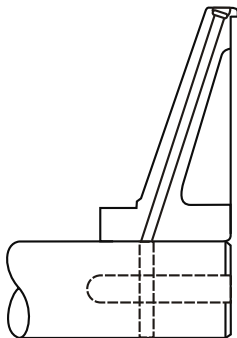
Single Connection



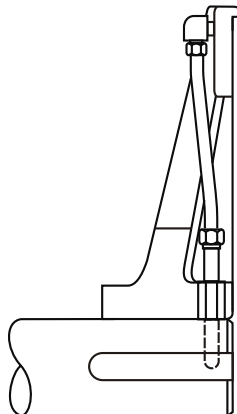
Two Connections



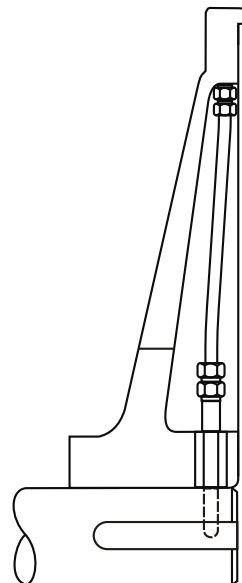
Four Connections



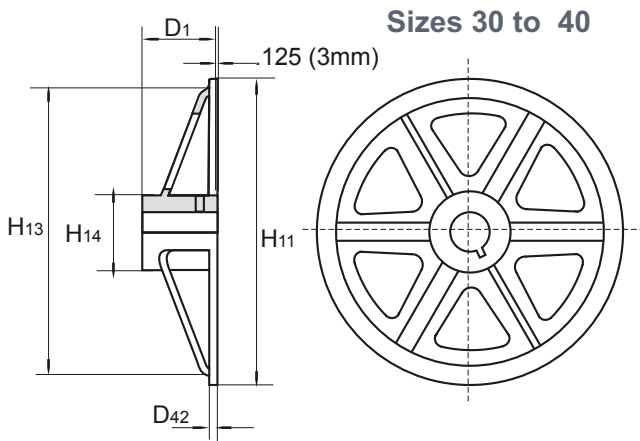
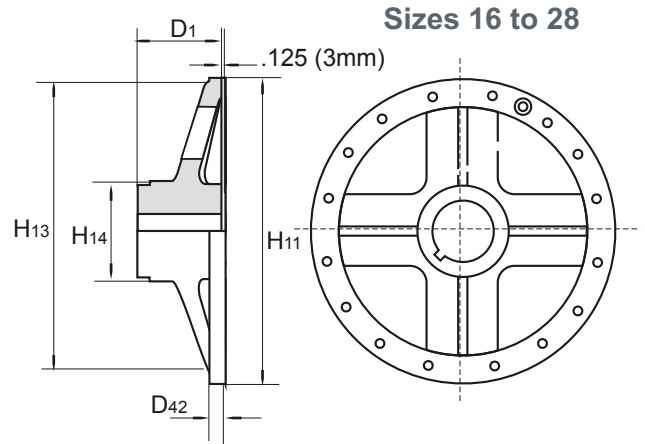
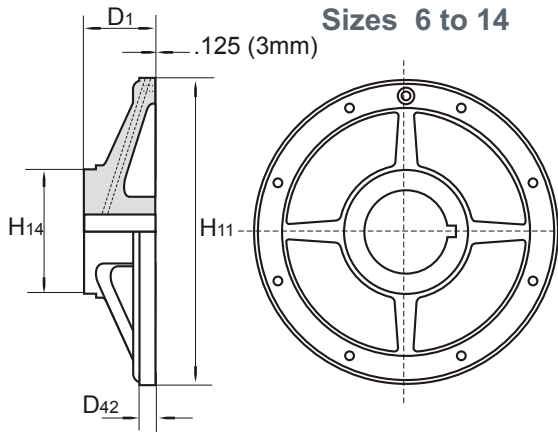
Sizes 6 to 14



Sizes 16 to 28



Sizes 30 to 40



NOTES:

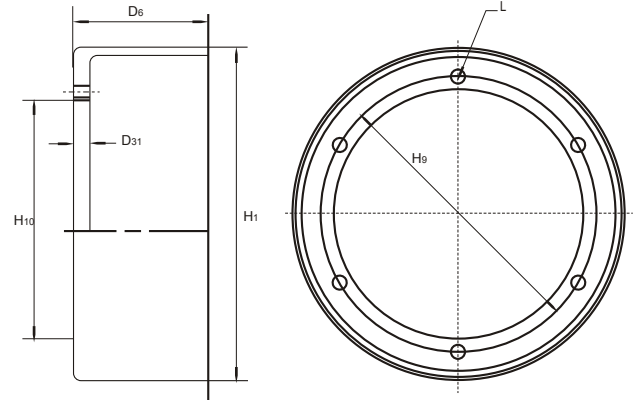
1- Based upon minimum bores.

Size	Part number		English units								SI units					
	Single connection	Multi-connection	Weight ¹ (lb)	Wk ² (lb-ft ²)	Dimensions in inches					Mass ¹ (kg)	J (kg-m ²)	Dimensions in millimeters				
					D ₁	D ₄₂	H ₁₁	H ₁₃	H ₁₄			D ₁	D ₄₂	H ₁₁	H ₁₃	H ₁₄
8FK250	204020	204021	19	2.3	2.88	0.56	13.25	N/A	4.00	8.6	0.10	73	14	337	N/A	102
10FK300	204030	204031	40	5.3	3.56	0.62	15.75	N/A	6.00	18	0.22	91	16	400	N/A	152
12FK350	204040	204041	46	8.1	4.00	0.59	18.00	N/A	6.00	21	0.34	102	15	457	N/A	152
14FK400	204050	204051	50	11.2	4.34	0.59	20.00	N/A	6.00	23	0.47	110	15	508	N/A	152
16FK500	N/A	204060	146	53	5.50	1.06	24.00	21.25	7.00	66	2.23	140	27	610	540	178
18FK500	N/A	204071	152	63	5.50	1.06	26.00	23.25	8.00	69	2.65	140	27	660	591	203
20FK500	N/A	204081	183	91	5.50	1.06	28.00	25.25	8.00	83	3.83	140	27	711	641	203
22FK500	N/A	204091	227	123	6.00	1.06	30.00	27.00	8.50	103	5.17	152	27	762	686	216
24FK500	N/A	204101	257	150	6.50	1.06	32.00	29.00	8.50	117	6.31	165	27	813	737	216
26FK525	N/A	204111	298	220	6.50	1.06	34.63	31.00	9.00	135	9.26	165	27	880	787	229
28FK525	N/A	204121	337	270	7.50	1.06	36.63	33.50	9.00	153	11.36	191	27	930	851	229
30FK525	N/A	204131	341	390	7.50	1.69	38.63	35.00	9.50	155	16.41	191	43	981	889	241
32FK525	N/A	204141	392	453	7.50	1.69	40.63	37.00	9.50	178	19.07	191	43	1032	940	241
36FK525	N/A	204151	505	710	8.50	1.69	45.25	41.50	11.38	229	29.89	216	43	1149	1054	289
40FK525	N/A	204161	464	774	8.50	1.69	49.25	46.75	11.00	210	32.58	216	43	1251	1187	279

* The data displayed in the catalog is current and subject to change without previous notice.

Size	Part number		
	Single drum		Dual drum
	Thru holes	Tapped holes	Thru holes
6FK200	212204	212004	N/A
8FK250	212205	212005	N/A
10FK300	212206	212006	N/A
12FK350	212207	212007	212027
14FK400	212208	212008	212028
16FK500	212209	212009	212029
18FK500	212210	212010	212030
20FK500	212211	212011	212031
22FK500	212212	212012	212032

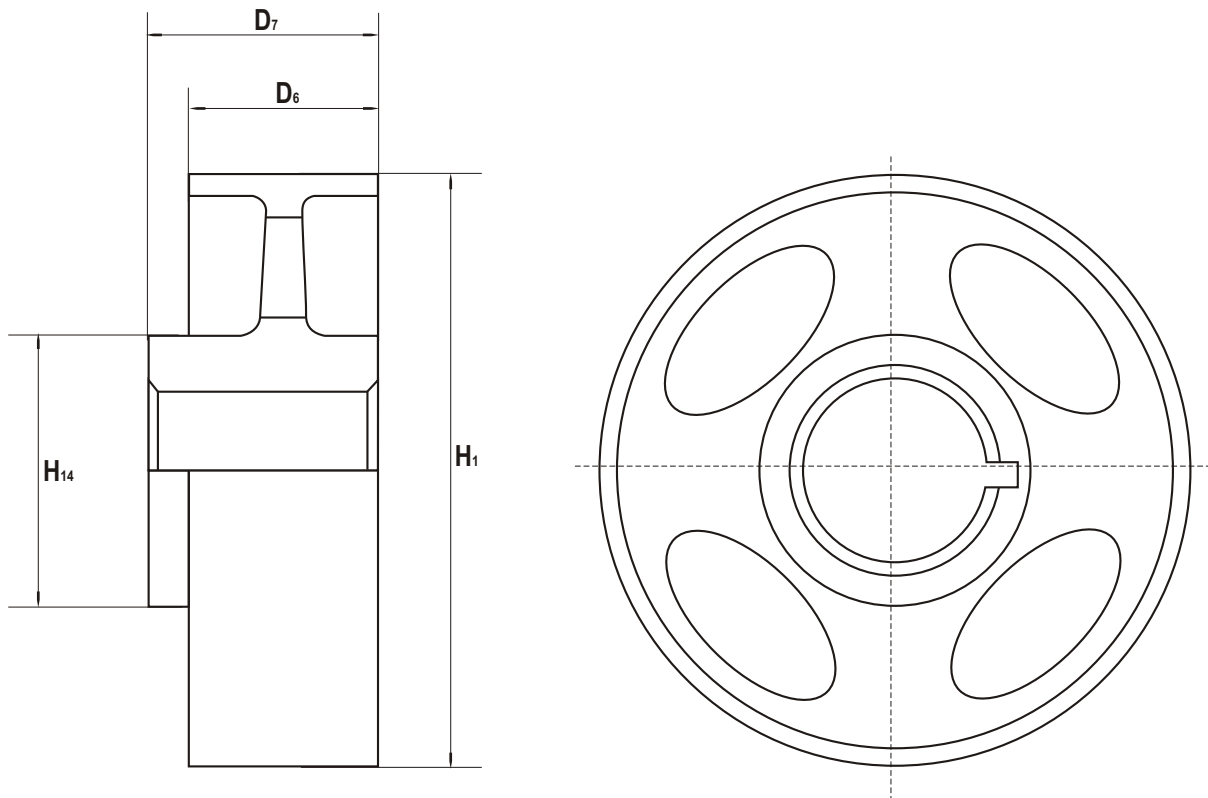
Size	Part number		
	Single drum		Dual drum
	Thru holes	Tapped holes	Thru holes
24FK500	212213	212013	212033
26FK525	212214	212014	212034
28FK525	212215	212015	212035
30FK525	212216	212016	212036
32FK525	212217	212017	212037
36FK525	212218	212018	212038
40FK525	212219	212019	212039



ENGLISH	Dimensions in inches							D ₆	Weight lb	Wk ² lb-fl ²	D ₆	Weight lb	Wk ² lb-fl ²
	Single and dual drum			No.	Thru	Trapped							
6FK200	0.50	6	4.250	3.500	6	0.406	3/8-16	3.00	5.5	0.3			
8FK250	0.75	8	5.250	4.250	8	0.406	3/8-16	3.50	12.5	1.1			
10FK300	0.75	10	7.250	6.250	6	0.531	1/2-13	4.06	19	2.7			
12FK350	0.75	12	7.250	6.250	6	0.531	1/2-13	4.68	30	5.9	10.19	61	13
14FK400	0.75	14	9.250	8.250	6	0.531	1/2-13	5.18	38	10.5	11.19	83	24
16FK500	0.75	16	12.000	10.750	6	0.781	3/4-10	6.62	50	19	13.56	109	43
18FK500	1.00	18	13.500	12.125	8	0.781	3/4-10	6.62	67	31	13.56	126	63
20FK500	1.00	20	16.000	14.625	8	0.781	3/4-10	6.62	72	43	13.56	139	87
22FK500	1.00	22	18.500	16.750	10	0.781	3/4-10	6.62	79	58	13.56	152	117
24FK500	1.00	24	19.750	18.000	12	0.781	3/4-10	6.62	93	80	13.56	173	156
26FK525	1.00	26	21.500	19.500	14	0.781	3/4-10	7.06	108	110	14.19	198	211
28FK525	1.00	28	23.500	21.500	16	0.781	3/4-10	7.06	117	140	14.31	216	268
30FK525	1.00	30	25.000	23.000	18	0.781	3/4-10	7.06	140	192	14.31	237	337
32FK525	1.00	32	27.000	25.000	18	0.781	3/4-10	7.06	160	252	14.31	254	413
36FK525	1.00	36	31.000	29.000	20	0.781	3/4-10	7.06	160	319	14.31	287	597
40FK525	1.00	40	34.500	32.500	16	0.781	3/4-10	7.06	209	523	14.31	327	840
Size	D ₃₁	H ₁ ²	H ₉	H ₁₀ ³	L (Bolt holes)			Single drum			Dual drum		
6FK200	13	152	108.0	88.9	6	10	3/8-16	76	2.5	0.01			
8FK250	19	203	133.4	108.0	8	10	3/8-16	89	5.7	0.05			
10FK300	19	254	184.2	158.8	6	13	1/2-13	103	8.6	0.11			
12FK350	19	305	184.2	158.8	6	13	1/2-13	119	14	0.25	259	28	0.55
14FK400	19	356	235.0	209.6	6	13	1/2-13	132	17	0.44	284	38	1.01
16FK500	19	406	304.8	273.1	6	20	3/4-10	168	23	0.80	344	49	1.81
18FK500	25	457	342.9	308.0	8	20	3/4-10	168	30	1.30	344	57	2.65
20FK500	25	508	406.4	371.5	8	20	3/4-10	168	33	1.81	344	63	3.66
22FK500	25	559	469.9	425.5	10	20	3/4-10	168	36	2.44	344	69	4.92
24FK500	25	610	501.7	457.2	12	20	3/4-10	168	42	3.36	344	78	6.57
26FK525	25	660	546.1	495.3	14	20	3/4-10	179	49	4.63	360	90	8.88
28FK525	25	711	596.9	546.1	16	20	3/4-10	179	53	5.89	363	98	11.28
30FK525	25	762	635.0	584.2	18	20	3/4-10	179	63	8.08	363	107	14.18
32FK525	25	813	685.8	635.0	18	20	3/4-10	179	72	10.60	363	115	17.39
36FK525	25	914	787.4	736.6	20	20	3/4-10	179	72	13.43	363	130	25.13
40FK525	25	1016	876.3	825.5	16	20	3/4-10	179	95	22.01	363	148	35.36
SI	Dimensions in millimeters							D ₁	Kg Mass	Kg-m ² J	D ₆	Kg Mass	Kg-m ² J
	Single and dual drum			No.	Thru	Trapped							

NOTES:

- 1- Dual drum is only available with tapped holes.
- 2- Tolerance:
+0,000/-0,010 in.
(+0,00/-0,25 mm.)
- 3- Tolerance by size:
6 to 40+0,003/-0,000 in.
(+0,08/-0,00 mm.)
45 +0,005/-0,00 in.
(+0,13/-0,00 mm.)



ENGLISH		lb	lb-ft ²	Dimensions in inches					
6FK200	212314	10	0.3	0.00	2.00	2.38	2.88	6	3.25
8FK250	212315	19	0.8	0.00	2.00	2.88	3.50	8	4.38
10FK300	212316	33	2.5	1.75	3.00	3.50	4.00	10	4.88
12FK350	212317	53	5.4	2.00	3.50	4.00	4.50	12	6.13
14FK400	212318	65	8.5	2.00	4.50	4.25	5.00	14	6.50
18FK500	212320	90	16	2.25	4.50	3.75	6.00	18	7.00
24FK500	212323	437	129	4.50	6.00	5.75	8.50	24	10.50
SIZE	Part number	Weight	Wk ²	Bore		D ₆	D ₇	H ₁	H ₁₄
		Mass	J	min	max				
				min	max				
6FJ200	212314	4.5	0.01	0	51	60	73	152	83
8FJ250	212315	8.6	0.03	0	51	73	89	203	111
10FJ300	212316	15	0.11	44	76	89	102	254	124
12FJ350	212317	24	0.23	51	89	102	114	305	156
14FJ400	212318	29	0.36	51	114	108	127	356	165
18FJ500	212320	41	0.67	57	114	95	152	457	178
24FJ500	212323	198	5.43	114	152	146	216	610	267
SI		Kg	Kg-m ²	Dimensions in millimeters					

* The data displayed in the catalog is current and subject to change without previous notice.

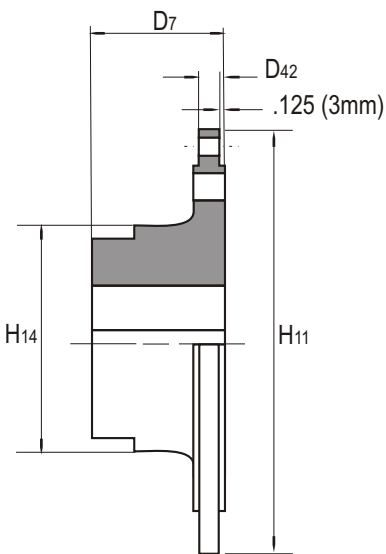
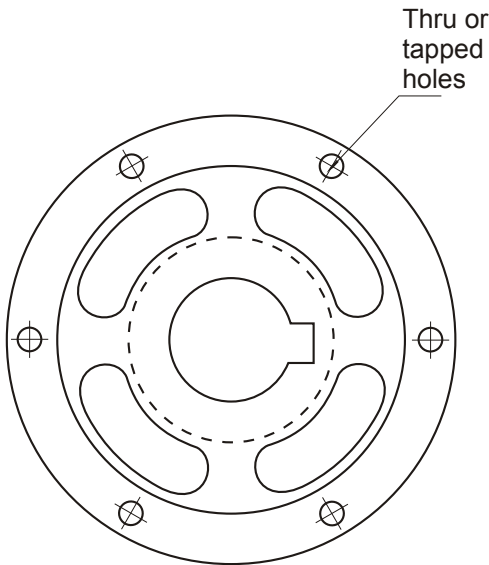
NOTES:

1- Based upon minimum bores.

FK Mounting Components

Drum Hub - Technical and dimensional data

Size 6 to 45 Single and Dual



ENGLISH	Thru holes	Tapped holes	Weight lb	Wk ² lb-ft ²	Dimensions in inches					
					min	max				
6FK200	203010	203011	9	0.50	1.50	2.50	2.75	0.63	5.00	3.75
8FK250	203020	203021	12	0.50	1.50	2.50	2.75	0.63	6.00	4.00
10FK300	203030	203031	18	0.88	1.50	3.00	3.25	0.63	8.25	5.00
12FK350	203030	203031	18	0.88	1.50	3.00	3.25	0.63	8.25	5.00
14FK400	203050	203151	46	3.50	2.25	4.50	5.00	0.63	10.25	7.00
16FK500	203060	203061	68	6.50	1.75	4.50	5.75	0.75	13.50	7.00
18FK500	203070	203071	74	6.50	2.25	4.75	5.75	0.75	15.00	7.50
20FK500	203080	203081	93	8.50	2.75	4.75	5.75	0.75	17.50	7.50
22FK500	203090	203091	131	29.00	2.75	5.25	6.50	0.75	20.00	8.50
24FK500	203100	203101	132	30.00	2.75	5.25	6.50	0.75	21.50	8.50
26FK525	203110	203111	160	46.00	2.75	5.50	6.50	0.75	23.00	9.00
28FK525	203120	203121	175	61.00	2.75	5.50	6.50	0.75	25.00	9.00
30FK525	203130	203131	214	78.00	3.00	6.00	8.00	0.75	26.50	9.50
32FK525	203140	203141	222	102.00	3.00	6.00	8.00	0.75	28.50	9.50
36FK525	203150	203151	305	159.00	4.00	7.00	9.00	0.75	32.50	11.00
40FK525	203160	203161	358	247.00	4.00	7.00	9.00	0.75	36.00	11.00
SIZE	Part number				Bore		D ₇	D ₄₂	H ₁₁	H ₁₄
6FK200	203010	203011	4.1	0.02	38	64	70	16	127	95
8FK250	203020	203021	5.4	0.02	38	64	70	16	152	102
10FK300	203030	203031	8.2	0.04	38	76	83	16	210	127
12FK350	203030	203031	8.2	0.04	38	76	83	16	210	127
14FK400	203050	203051	21	0.15	57	114	127	16	260	178
16FK500	203060	203061	31	0.27	44	114	146	19	343	178
18FK500	203070	203071	34	0.27	57	121	146	19	381	191
20FK500	203080	203081	42	0.36	70	121	146	19	445	191
22FK500	203090	203091	59	1.22	70	133	165	19	508	216
24FK500	203100	203101	60	1.26	70	133	165	19	546	216
26FK525	203110	203111	73	1.94	70	140	165	19	584	229
28FK525	203120	203121	79	2.57	70	140	165	19	635	229
30FK525	203130	203131	97	3.28	76	152	203	19	673	241
32FK525	203140	203141	101	4.29	76	152	203	19	724	241
36FK525	203150	203151	138	6.69	102	178	229	19	826	279
40FK525	203160	203161	162	10.40	102	178	229	19	914	279
SI	Thru holes	Tapped holes	lb	Kg-m ²	min	max	Dimensions in millimeters			
			Weight	J						

NOTES:

1- Based upon minimum bores.

The data displayed in the catalog is current and subject to change without previous notice.